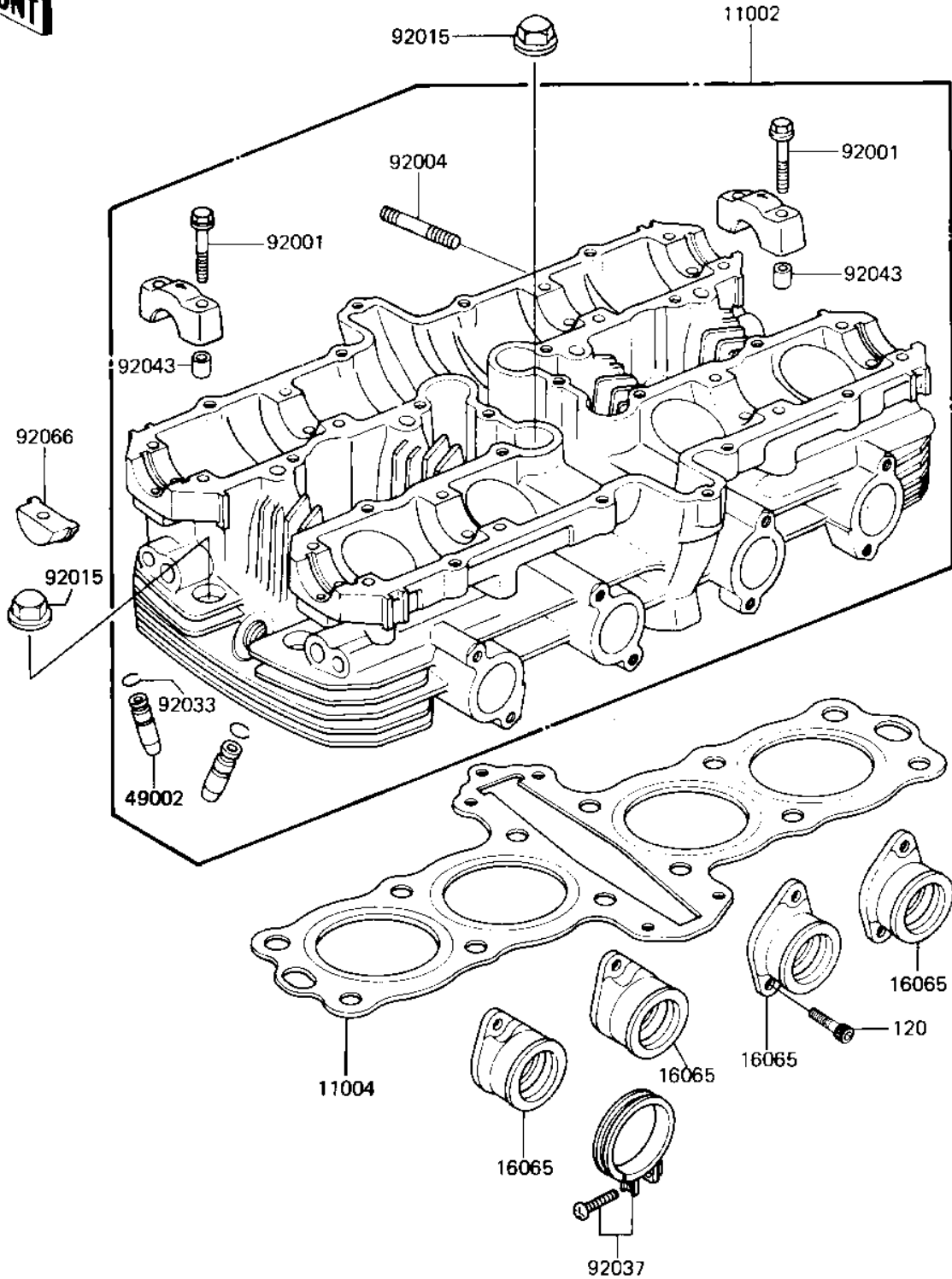


# 1983 LTD Shaft PARTS DIAGRAM

CYLINDER HEAD

E1111-0067



# 1983 LTD Shaft PARTS LIST

## CYLINDER HEAD

ITEM NAME	PART NUMBER	QUANTITY
HEAD-ASSY-CYLINDER,SI (Ref # 11002)	11002-1123	1
GASKET-HEAD (Ref # 11004)	11004-1212	1
HOLDER-CARBURETOR (Ref # 16065)	16065-1051	4
GUIDE,VALVE (Ref # 49002)	49002-1005	8
BOLT,FLANGED,6X38 (Ref # 92001)	92001-1105	16
STUD,6X27 (Ref # 92004)	92004-066	8
NUT,CAP,8MM (Ref # 92015)	92015-1151	12
CIRCLIP-VALVE (Ref # 92033)	92036-023	8
CLAMP (Ref # 92037)	92037-1326	4
PIN-DOWEL (Ref # 92043)	92042-007	16
PLUG,CAMSHAFT,11.35X1 (Ref # 92066)	92066-1111	4
BOLT-SOCKET,6X16,BLAC (Ref # 120)	120S0616	8