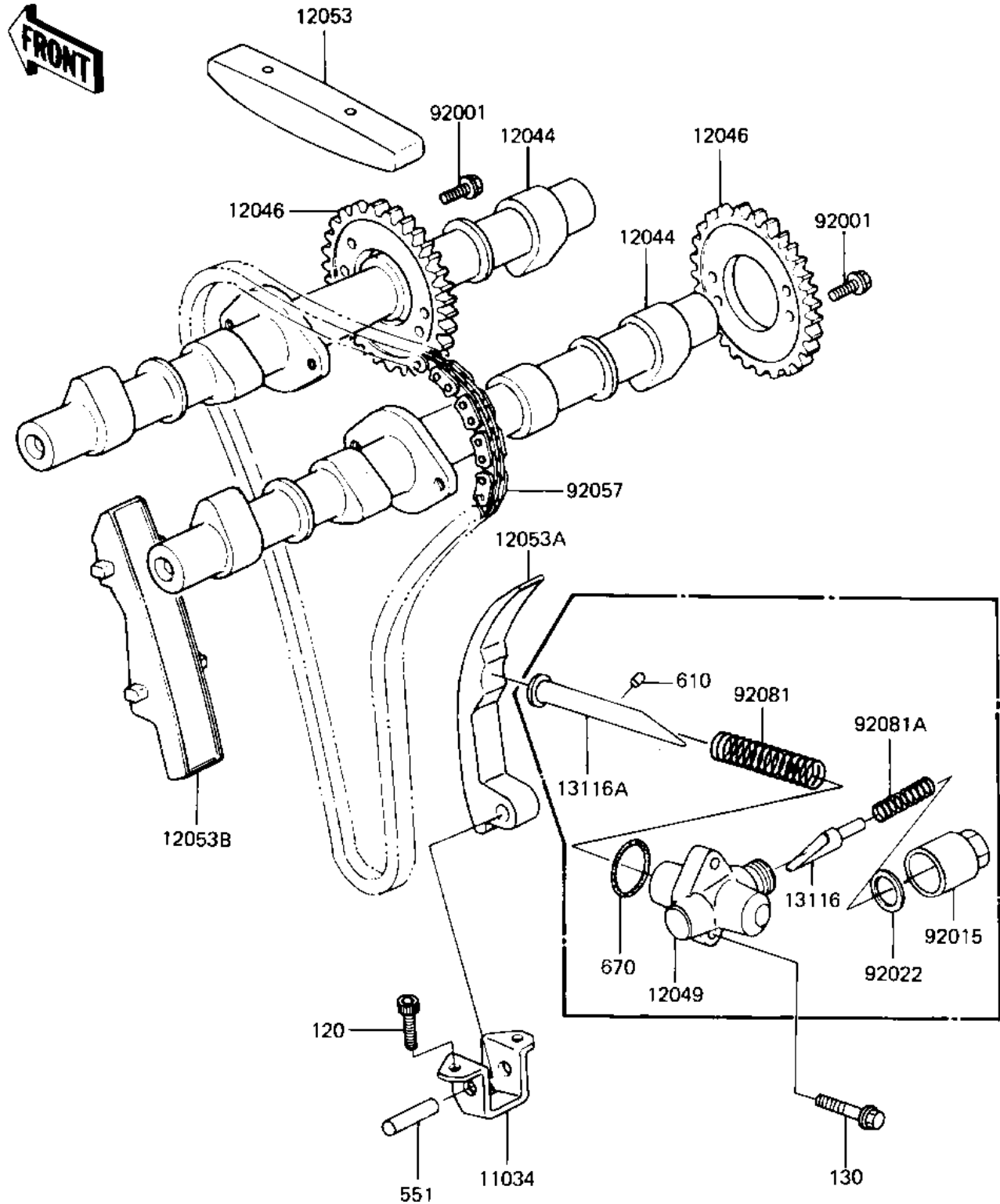


1983 LTD Shaft PARTS DIAGRAM

CAMSHAFTS/CHAIN/TENSIONER

E1230-0024



1983 LTD Shaft PARTS LIST

CAMSHAFTS/CHAIN/TENSIONER

ITEM NAME	PART NUMBER	QUANTITY
BRACKET,CHAIN GUIDE (Ref # 11034)	11034-1240	1
CAM SHAFT,INLET (Ref # 12044)	12044-1003	2
SPROCKET,CAM,42T (Ref # 12046)	12046-1019	2
TENSIONER,CAM CHAIN (Ref # 12049)	12049-1009	1
GUIDE,CAM CHAIN,HEAD (Ref # 12053)	12053-1018	1
GUIDE-CHAIN,CAM,RR (Ref # 12053A)	12053-1113	1
GUIDE,CAM CHAIN,FRONT (Ref # 12053B)	12053-1022	1
ROD,PUSH,CAM CHAIN (Ref # 13116)	13116-1012	1
ROD,PUSH,CAM CHAIN (Ref # 13116A)	13116-1020	1
BOLT,SPROCKET FITTING (Ref # 92001)	92003-208	4
CAP,TENSIONER,18M/M (Ref # 92015)	92015-1100	1
WASHER,18.3X24X1.4T (Ref # 92022)	92022-1175	1
CHAIN,CAM,82RH2015-14 (Ref # 92057)	92057-1290	1
SPRING,TENSIONER (Ref # 92081)	92081-1075	1
SPRING,TENSIONER (Ref # 92081A)	92081-1302	1
BOLT,ALLEN,6X18 (Ref # 120)	120P0618	2
BOLT,FLANGED,6X25 (Ref # 130)	130G0625	2
PIN,DOWEL,8X25 (Ref # 551)	551A0825	1
PIN DOWEL 4X8 (Ref # 610)	610A0408	1
"0" RING,21MM (Ref # 670)	670B2021	1