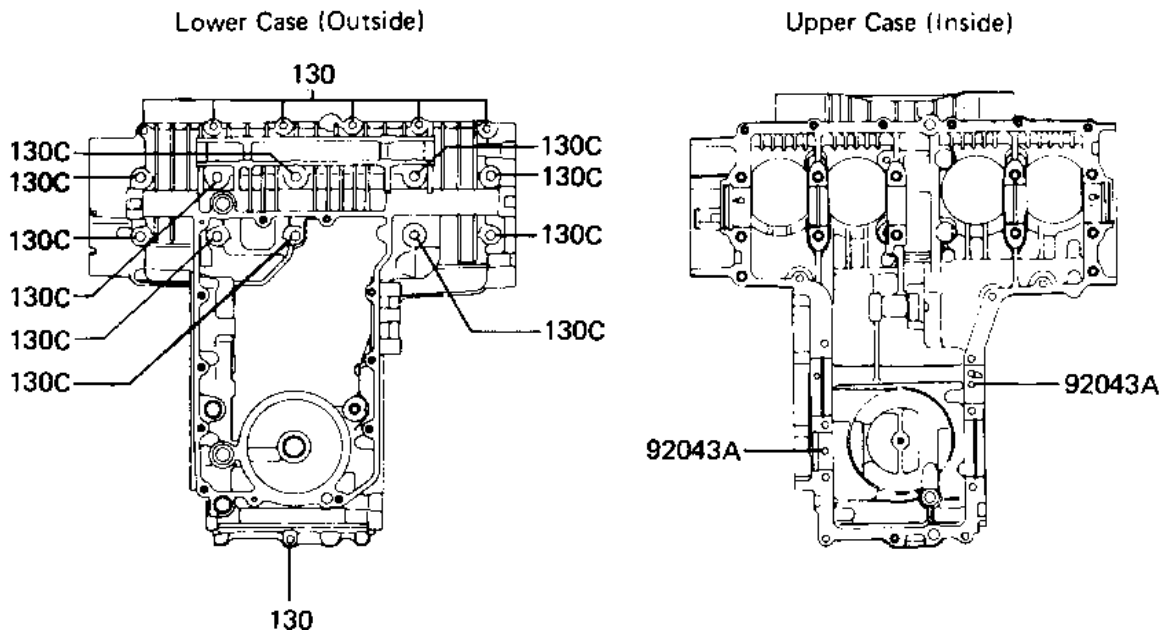
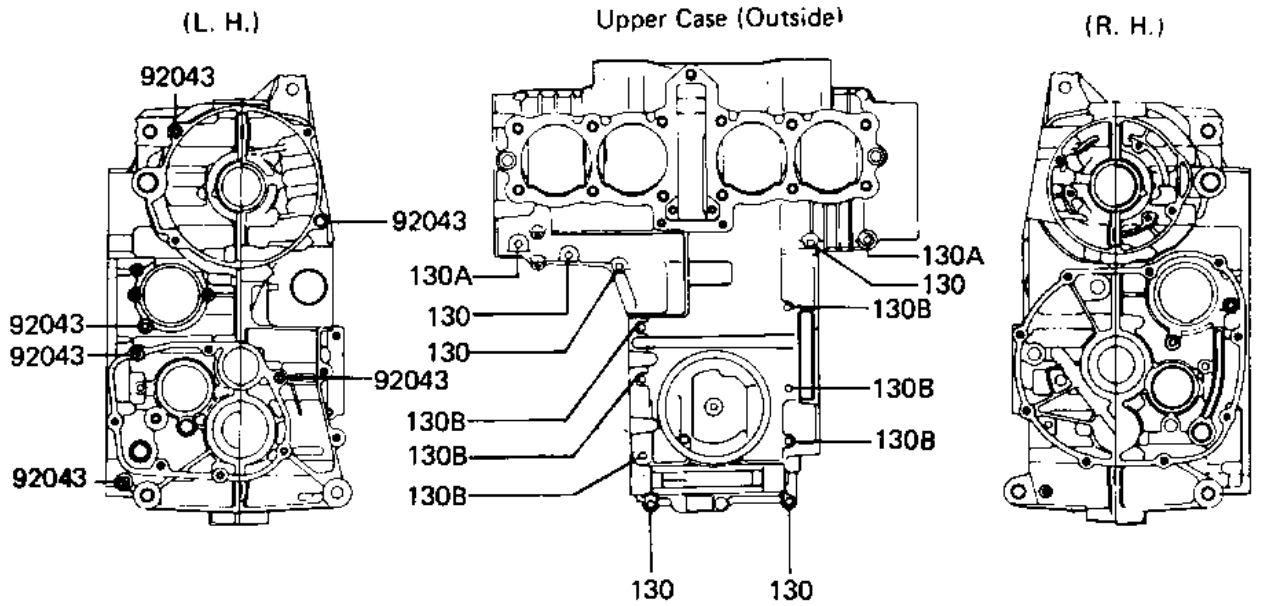


1983 LTD Shaft PARTS DIAGRAM

CRANKCASE BOLT & STUD PATTERN

E1412-0017



1983 LTD Shaft PARTS LIST

CRANKCASE BOLT & STUD PATTERN

ITEM NAME	PART NUMBER	QUANTITY
PIN-DOWEL (Ref # 92043)	92042-007	6
PIN DOWEL 6MM (Ref # 92043A)	92042-016	2
BOLT,FLANGED,6X40 (Ref # 130)	130G0640	12
BOLT,FLANGED,6X55 (Ref # 130A)	130G0655	2
BOLT-FLANGED,6X95 (Ref # 130B)	130G0695	2
BOLT-FLANGED,8X95 (Ref # 130C)	130P0895	10