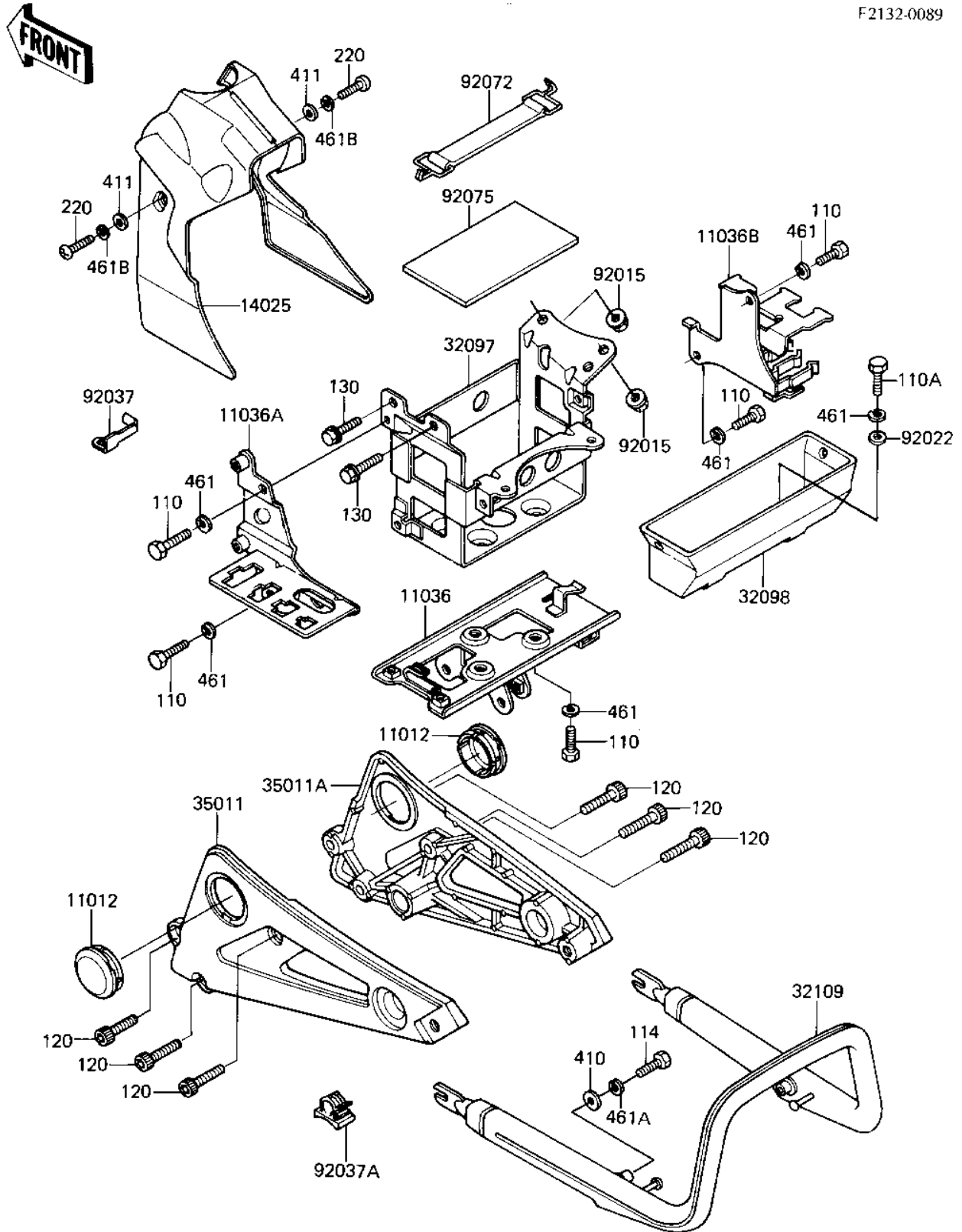


1983 LTD Shaft PARTS DIAGRAM

BATTERY CASE/TOOL CASE

F2132-0089



1983 LTD Shaft PARTS LIST

BATTERY CASE/TOOL CASE

| ITEM NAME | PART NUMBER | QUANTITY |
|--------------------------------------|-------------|----------|
| CAP,SWING ARM SHAFT (Ref # 11012) | 11012-1397 | 2 |
| BRACKET-A,ELECTRIC,LW (Ref # 11036) | 11036-1826 | 1 |
| BRACKET-A,ELECTRIC,LH (Ref # 11036A) | 11036-1827 | 1 |
| BRACKET-A,ELECTRIC,RH (Ref # 11036B) | 11036-1828 | 1 |
| COVER,FUEL TANK,FR (Ref # 14025) | 14025-1551 | 1 |
| CASE-BATTERY (Ref # 32097) | 32097-1062 | 1 |
| CASE-TOOL (Ref # 32098) | 32098-1022 | 1 |
| GRIP-FRAME (Ref # 32109) | 32109-1040 | 1 |
| STAY,MUFFLER,LH (Ref # 35011) | 35011-1148 | 1 |
| STAY,MUFFLER,RH (Ref # 35011A) | 35011-1149 | 1 |
| NUT-6MM (Ref # 92015) | 92015-1078 | 2 |
| WASHER,6.5X16X2 (Ref # 92022) | 92022-1565 | 2 |
| CLAMP,BREATHER TUBE (Ref # 92037) | 92037-1246 | 1 |
| CLAMP,LEAD WIRE (Ref # 92037A) | 92037-1340 | 2 |
| BAND,BATTERY (Ref # 92072) | 92072-1097 | 1 |
| DAMPER,BATTERY BASE (Ref # 92075) | 92075-1076 | 1 |
| BOLT-UPSET,6X12 (Ref # 110) | 112G0612 | 7 |
| BOLT-UPSET 6X14 (Ref # 110A) | 112B0614 | 2 |
| BOLT-SMALL-UPSET,8X18 (Ref # 114) | 115G0818 | 2 |
| BOLT-SOCKET (Ref # 120) | 120S0825 | 6 |
| BOLT,FLANGED,6X10 (Ref # 130) | 130B0610 | 2 |
| SCREW-PAN-CROS,6X35,B (Ref # 220) | 220C0635 | 2 |
| WASHER PLAIN 8MM (Ref # 410) | 410B0800 | 2 |
| WASHER PLAIN (Ref # 411) | 411F0600 | 2 |
| WASHER SPRING 6MM (Ref # 461) | 461F0600 | 9 |
| WASHER SPRING 8MM (Ref # 461A) | 461F0800 | 2 |
| WASHER-SPRING,6MM,BLA (Ref # 461B) | 461K0600 | 2 |