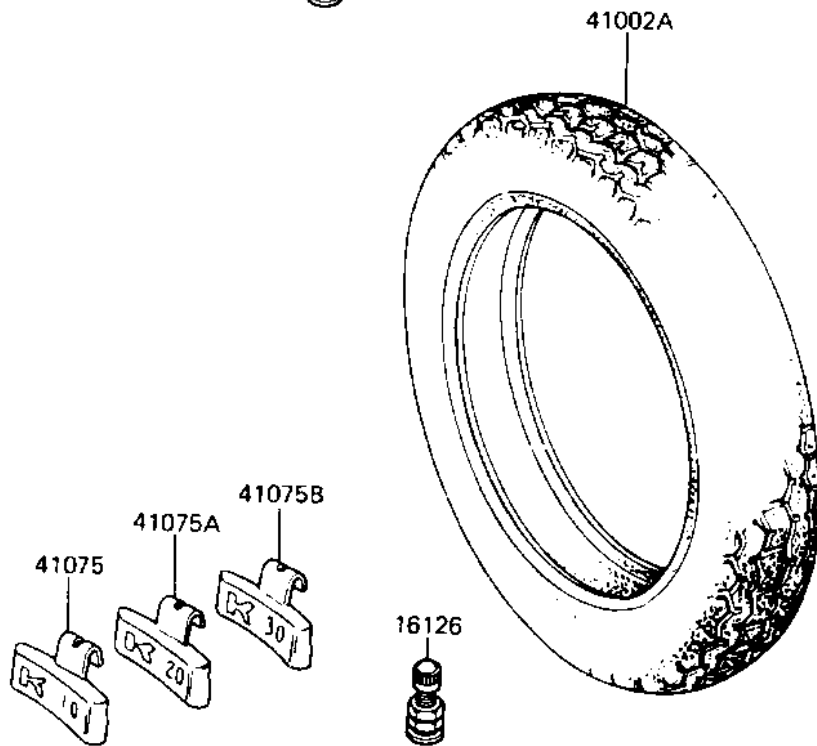
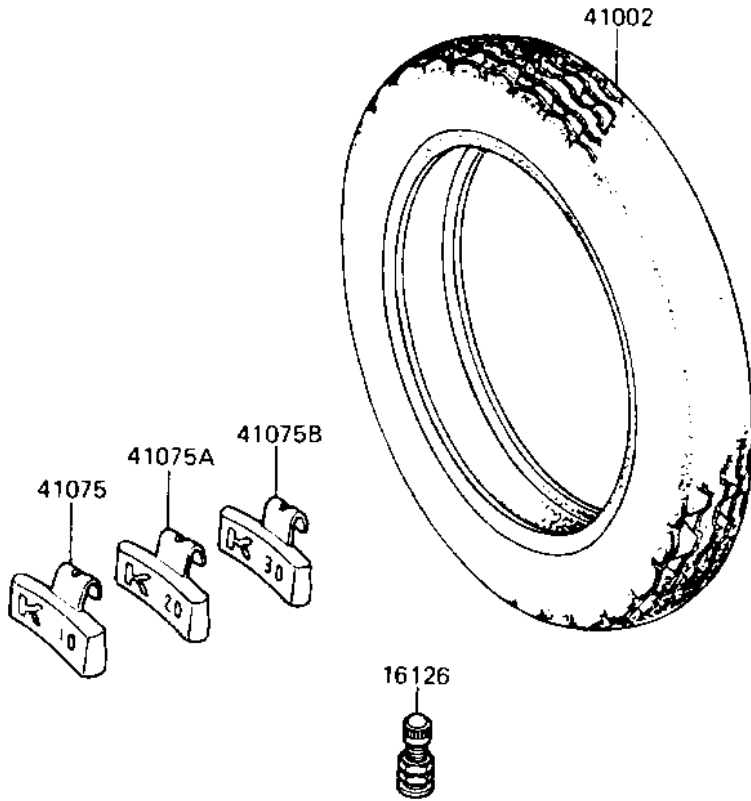


1983 LTD Shaft PARTS DIAGRAM

TIRES

1.2210.0014



1983 LTD Shaft PARTS LIST

TIRES

ITEM NAME	PART NUMBER	QUANTITY
VALVE (Ref # 16126)	16126-1136	2
TIRE 100/90-19 F8 F (Ref # 41002)	41002-1295	1
TIRE 130/90-16 K427 R (Ref # 41002A)	41002-1322	1
BALANCER-WHEEL,10G (Ref # 41075)	41075-1011	AR
BALANCER-WHEEL,20G (Ref # 41075A)	41075-1012	AR
BALANCER-WHEEL,30G (Ref # 41075B)	41075-1013	AR