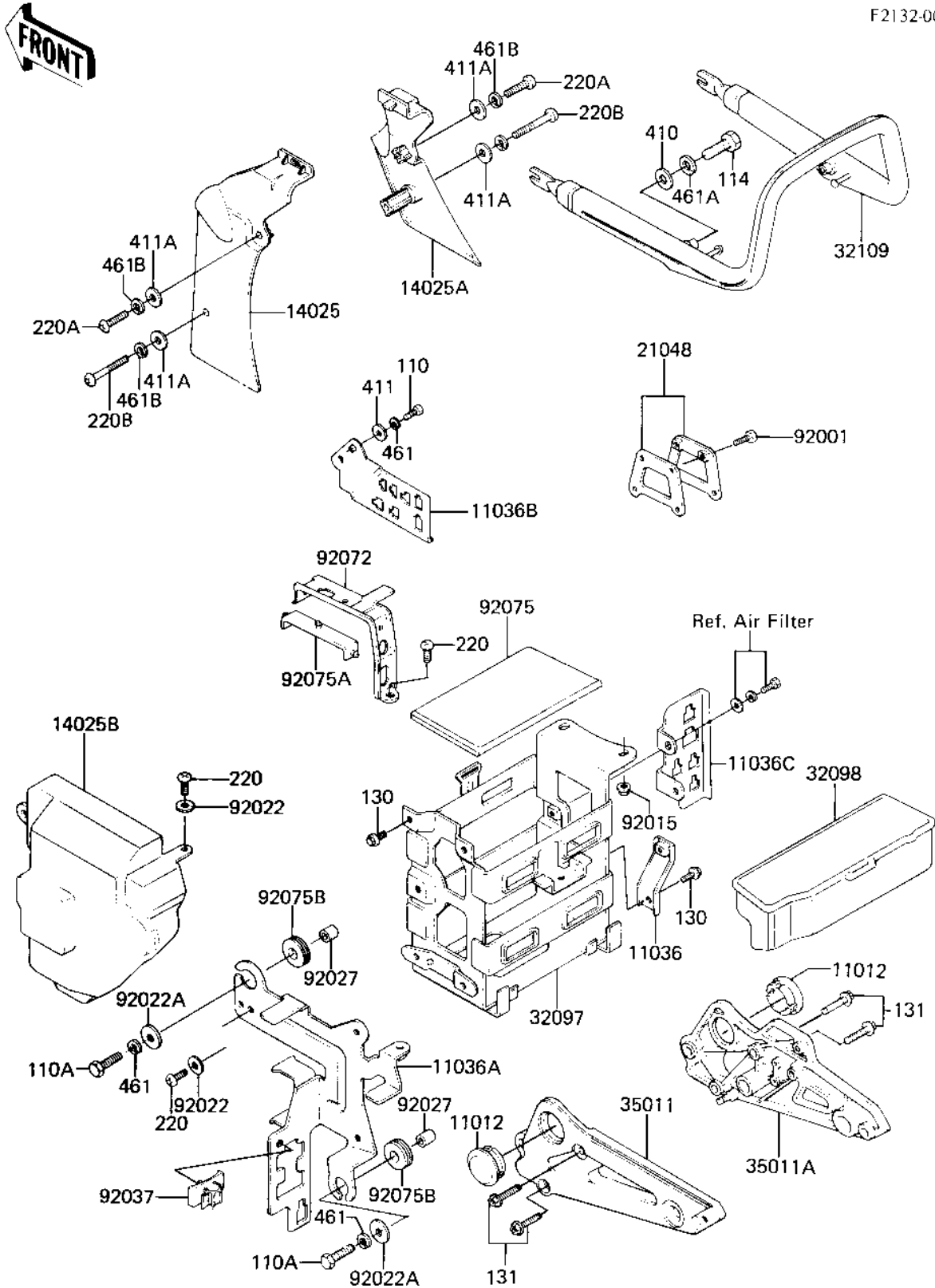


# 1983 LTD Shaft PARTS DIAGRAM

BATTERY CASE/TOOL CASE

F2132-0075



# 1983 LTD Shaft PARTS LIST

## BATTERY CASE/TOOL CASE

ITEM NAME	PART NUMBER	QUANTITY
CAP,SWING ARM SHAFT (Ref # 11012)	11012-1397	2
BRACKET-A,RESERVOIR (Ref # 11036)	11036-1345	1
BRACKET-A,ELECTRO BAS (Ref # 11036A)	11036-1497	1
BRACKET-A,COUPLER (Ref # 11036B)	11036-1510	1
BRACKET-A,COUPLER (Ref # 11036C)	11036-1511	1
COVER,FUEL TANK,LH (Ref # 14025)	14025-1468	1
COVER,FUEL TANK,RH (Ref # 14025A)	14025-1469	1
COVER,ELECTRO BASE (Ref # 14025B)	14025-1511	1
PLATE,IGNITION COIL (Ref # 21048)	21048-1001	2
CASE-BATTERY (Ref # 32097)	32097-1050	1
CASE-TOOL (Ref # 32098)	32098-1021	1
GRIP-FRAME (Ref # 32109)	32109-1040	1
STAY,MUFFLER,LH (Ref # 35011)	35011-1150	1
STAY,MUFFLER,RH (Ref # 35011A)	35011-1151	1
BOLT,HEX HEAD,6MM (Ref # 92001)	92001-137	4
NUT-FLANGE (Ref # 92015)	92015-1193	2
WASHER PLAIN (Ref # 92022)	92022-024	2
WASHER,PLAIN,7MM (Ref # 92022A)	92022-228	2
COLLAR-CLAMP (Ref # 92027)	92027-291	2
CLAMP,LEAD WIRE (Ref # 92037)	92037-1340	1
BAND,BATTERY (Ref # 92072)	92072-1076	1
DAMPER,BATTERY BASE (Ref # 92075)	92075-1076	1
DAMPER,BATTERY BAND (Ref # 92075A)	92075-1371	1
DAMPER (Ref # 92075B)	92075-317	2
BOLT HEX HEAD 6X12 (Ref # 110)	110B0612	1
BOLT HEX HEAD 6X25 (Ref # 110A)	110B0625	2
BOLT HEX HEAD 8X30 (Ref # 114)	114B0830	2
BOLT,FLANGED,6X10 (Ref # 130)	130B0610	3
BOLT-FLANGED,8X35,BLA (Ref # 131)	131J0835	4

# 1983 LTD Shaft PARTS LIST

## BATTERY CASE/TOOL CASE

ITEM NAME	PART NUMBER	QUANTITY
SCREW PAN HEAD 6X12 (Ref # 220)	220B0612	3
SCREW-PAN-CROS,6X25,B (Ref # 220A)	220C0625	2
SCREW-PAN-CROS,6X45,B (Ref # 220B)	220C0645	2
WASHER PLAIN 8MM (Ref # 410)	410B0800	2
WASHER PLAIN 6MM (Ref # 411)	411B0600	1
WASHER PLAIN (Ref # 411A)	411F0600	4
WASHER SPRING 6MM (Ref # 461)	461F0600	3
WASHER SPRING 8MM (Ref # 461A)	461F0800	2
WASHER-SPRING,6MM,BLA (Ref # 461B)	461K0600	4