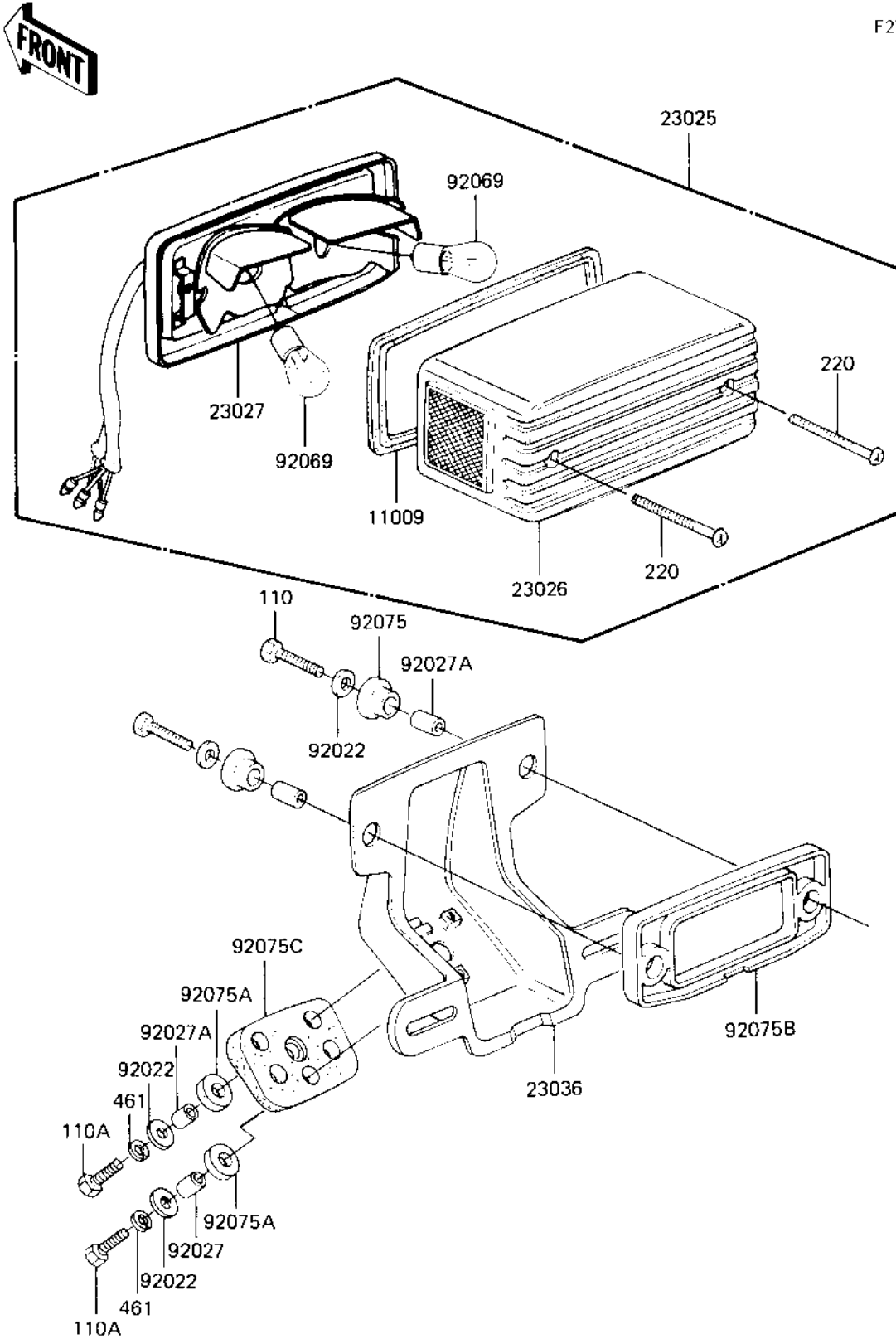


1983 LTD Shaft PARTS DIAGRAM

TAILLIGHT

F2720-0011



1983 LTD Shaft PARTS LIST

TAILLIGHT

ITEM NAME	PART NUMBER	QUANTITY
GASKET, TAIL LAMP (Ref # 11009)	11009-1221	1
LAMP-TAIL (Ref # 23025)	23025-1025	1
LENS, TAIL LAMP (Ref # 23026)	23026-1021	1
BODY-COMP-TAIL LAMP (Ref # 23027)	23027-1013	1
BRACKET-TAIL LAMP (Ref # 23036)	23036-1033	1
WASHER 6.5X20X1.6T (Ref # 92022)	92022-125	5
COLLAR 6.8X10X14.5 (Ref # 92027)	92027-156	1
COLLAR (Ref # 92027A)	92027-169	4
BULB, 12V 32/3CP (Ref # 92069)	92069-059	2
DAMPER RUBBER (Ref # 92075)	92075-1092	2
DAMPER RUBBER, RR FEND (Ref # 92075A)	92075-121	3
DAMPER (Ref # 92075B)	92075-1282	1
DAMPER (Ref # 92075C)	92075-1283	1
BOLT 6X22 (Ref # 110)	112B0622	2
BOLT-UPSET (Ref # 110A)	112G0625	3
SCREW-PAN-CROS (Ref # 220)	220C0465	2
WASHER SPRING 6MM (Ref # 461)	461F0600	3