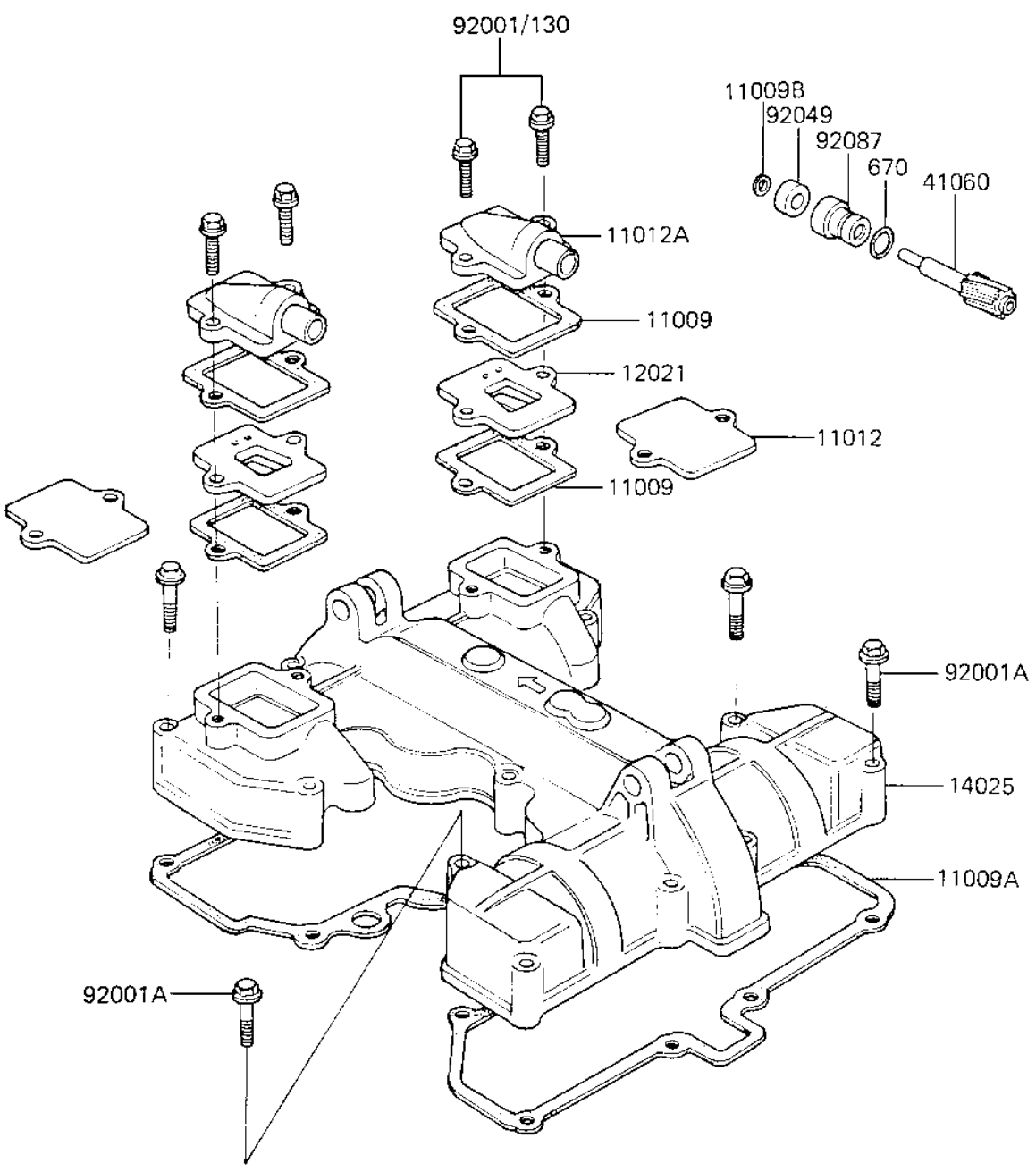


# 1983 LTD Belt PARTS DIAGRAM

CYLINDER HEAD COVER

E1112-0053



# 1983 LTD Belt PARTS LIST

## CYLINDER HEAD COVER

ITEM NAME	PART NUMBER	QUANTITY
GASKET, REED VALVE (Ref # 11009)	11009-1879	2
GASKET, REED VALVE (Ref # 11009)	11009-1879	4
GASKET, CYLINDER HEAD (Ref # 11009A)	11009-1247	1
GASKET, TACHOMETER GER (Ref # 11009B)	92065-103	1
CAP, CYLINDER HEAD COVER (Canad (Ref # 11012)	11012-1212	2
CAP, REED VALVE (Ref # 11012A)	11012-5003	2
VALVE-ASSY-REED (Ref # 12021)	12021-1011	2
COVER, CYLINDER HEAD (Ref # 14025)	14025-1558	1
GEAR, TACHOMETER (Ref # 41060)	13223-013	1
BOLT, FLANGED, 6X22 (Ref # 92001)	92001-1352	4
BOLT, HEX HEAD, 6X45 (Ref # 92001A)	92003-092	14
OIL SEAL (Ref # 92049)	92050-075	1
GUIDE, TACHOMETER GEAR (Ref # 92087)	92087-009	1
BOLT, FLANGED, 6X12 (Ref # 130)	130G0612	4
"O"RING 10MM (Ref # 670)	670B1510	1