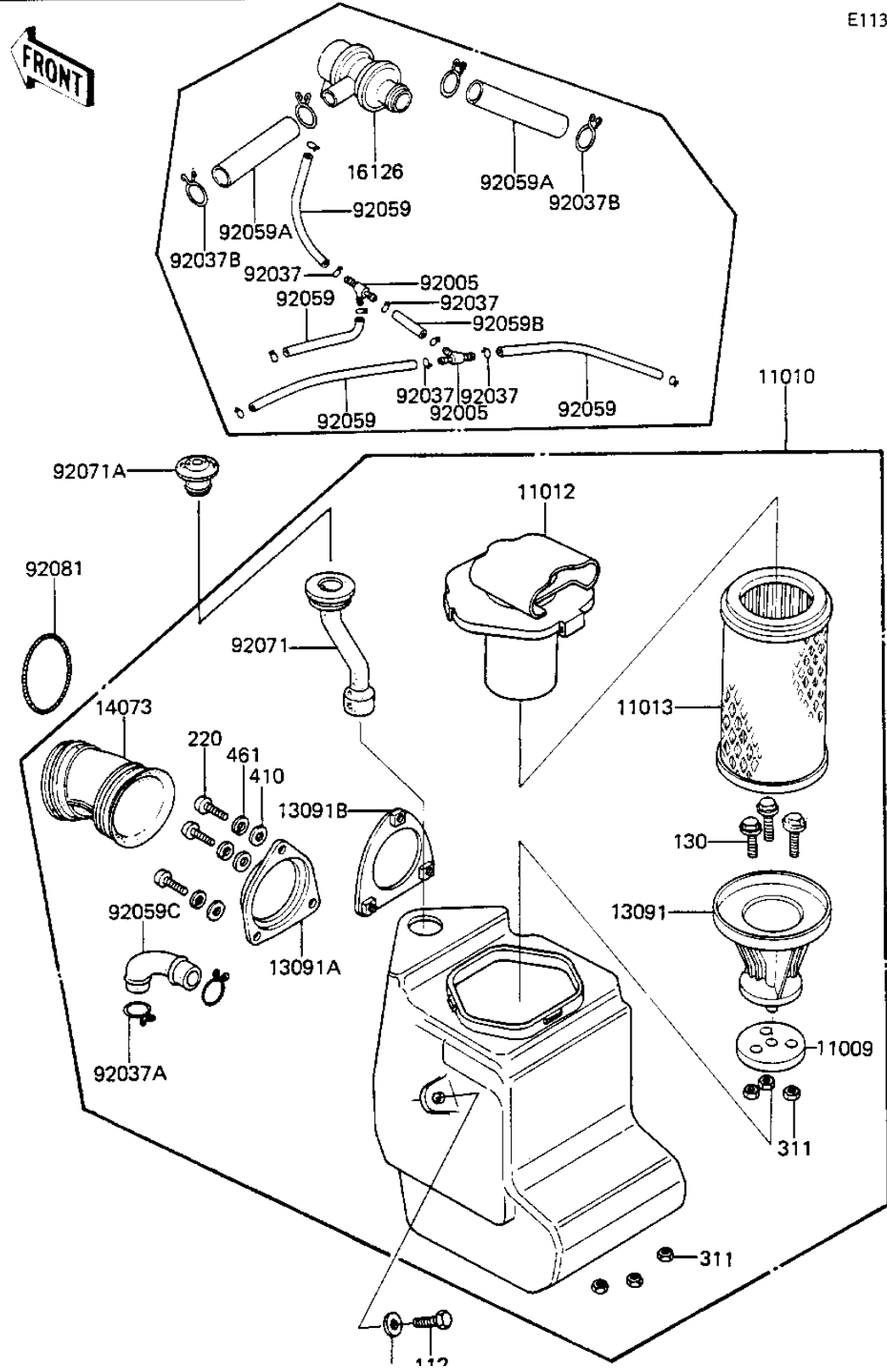


1983 LTD Belt PARTS DIAGRAM

AIR CLEANER

E1130-0109



1983 LTD Belt PARTS LIST

AIR CLEANER

ITEM NAME	PART NUMBER	QUANTITY
GASKET (Ref # 11009)	11039-001	1
FILTER-ASSY-AIR (Ref # 11010)	11010-1158	1
CAP (Ref # 11012)	11012-1189	1
ELEMENT,AIR CLNR (Ref # 11013)	11013-1045	1
HOLDER (Ref # 13091)	11033-004	1
PLATE,INLET PIPE (Ref # 13091A)	11040-004	2
PLATE,INLET PIPE (Ref # 13091B)	11040-005	2
DUCT (Ref # 14073)	14073-1061	2
VALVE ASSY,AIR SWITCH (Ref # 16126)	16126-1005	1
FITTING,TUBE (Ref # 92005)	92005-1017	2
WASHER 6.5X20X1.6T (Ref # 92022)	92022-125	2
CLAMP-PIPE (Ref # 92037)	92037-072	10
CLAMP,BREATHER HOSE (Ref # 92037A)	92037-192	2
CLAMP,BREATHER TUBE (Ref # 92037B)	92037-213	4
TUBE,4X5X100,VACUUM (Ref # 92059)	92059-1058	4
TUBE (Ref # 92059A)	92059-1192	2
TUBE (Ref # 92059B)	92059-1193	1
TUBE (Ref # 92059C)	92059-121	1
GROMMET (Ref # 92071)	92071-1033	1
GROMMET (Canada) (Ref # 92071A)	92071-1039	1
SPRING (Ref # 92081)	92081-1177	2
BOLT-UPSET,6X16 (Ref # 112)	112G0616	2
BOLT,FLANGED,6X25 (Ref # 130)	130G0625	3
SCREW PAN HEAD 4X16 (Ref # 220)	220B0416	6
NUT 6MM (Ref # 311)	311B0600	6
WASHER PLAIN 4MM (Ref # 410)	410B0400	6
WASHER SPRING 4MM (Ref # 461)	461F0400	6