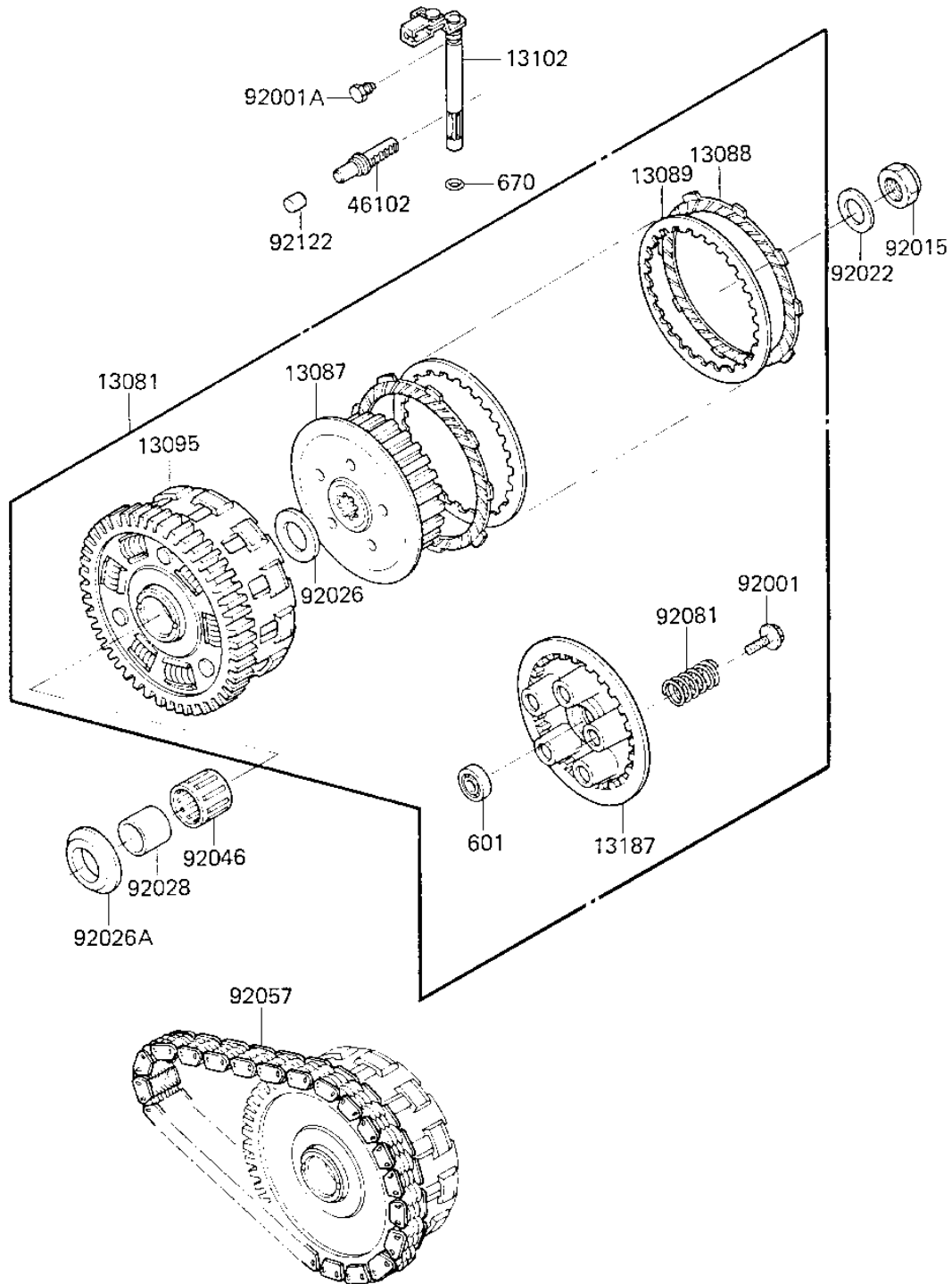


1983 LTD Belt PARTS DIAGRAM

CLUTCH

E1350-0064



1983 LTD Belt PARTS LIST

CLUTCH

ITEM NAME	PART NUMBER	QUANTITY
CLUTCH-ASSY (Ref # 13081)	13081-1092	1
HUB,CLUTCH (Ref # 13087)	13087-042	1
PLATE-FRICTION (Ref # 13088)	13088-1013	8
PLATE,CLUTCH STEL (Ref # 13089)	13089-027	7
HOUSING-COMP-CLUTCH (Ref # 13095)	13095-1051	1
RELEASE-COMP-CLUTCH (Ref # 13102)	13102-1020	1
PLATE-CLUTCH OPERATIN (Ref # 13187)	13187-1006	1
ROD (Ref # 46102)	46102-1053	1
BOLT,CLUTCH SPR FITT (Ref # 92001)	92001-1066	5
BOLT,CLUTCH RELEASE (Ref # 92001A)	92003-130	1
NUT,20MM (Ref # 92015)	92015-1555	1
WASHER,6.5X16X2 (Ref # 92022)	92022-1565	1
WASHER TH 25.5X47X2.5 (Ref # 92026)	92026-022	1
SPACER (Ref # 92026A)	92026-123	1
BUSHING,CLUTCH (Ref # 92028)	92028-178	1
BEARING,KTV323723 (Ref # 92046)	92046-028	1
CHAIN,PRIMARY (Ref # 92057)	13122-008	1
SPRING,CLUTCH (Ref # 92081)	92081-139	5
ROLLER,10X12 (Ref # 92122)	92122-1019	1
BEARING-BALL (Ref # 601)	92045-1235	1
"O" RING,9MM (Ref # 670)	670B1509	1