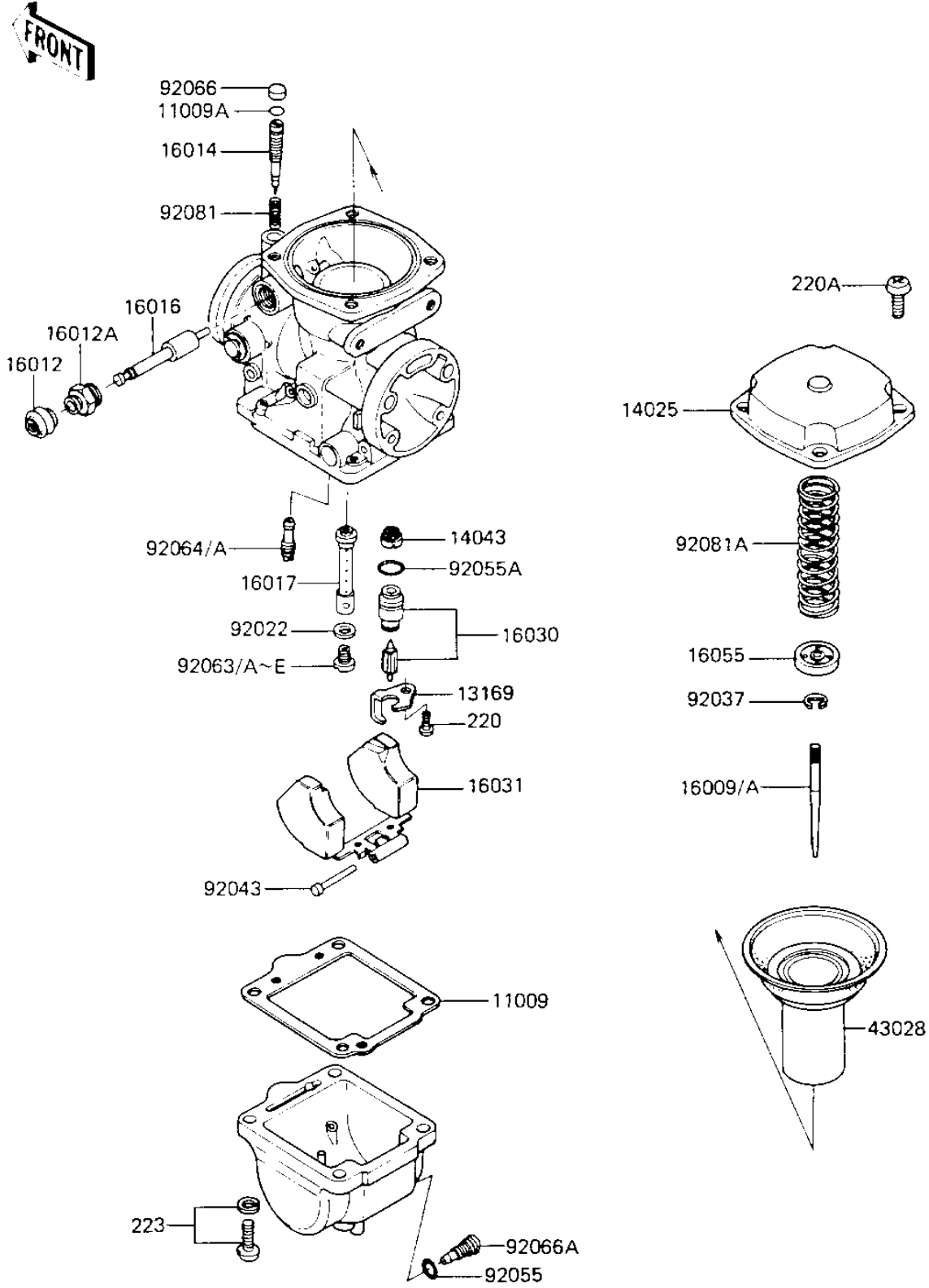


1983 LTD Belt PARTS DIAGRAM

CARBURETOR PARTS

E1612-0066



1983 LTD Belt PARTS LIST

CARBURETOR PARTS

ITEM NAME	PART NUMBER	QUANTITY
GASKET,FLOAT CHAMBER (Ref # 11009)	11009-1241	2
"O" RING (Ref # 11009A)	16038-022	2
PLATE (Ref # 13169)	13169-1482	2
COVER (Ref # 14025)	14025-1395	2
FILTER,FLOAT VALVE (Ref # 14043)	14043-1010	2
NEEDLE-JET-5C50 (Ref # 16009)	16009-1100	2
NEEDLE-JET-5C50 (Ref # 16009A)	16009-1100	2
CAP-STARTER PLUNGER (Ref # 16012)	16012-1010	2
CAP-STARTER PLUNGER (Ref # 16012A)	16012-1011	2
SCREW-PILOT AIR (Ref # 16014)	16014-1014	2
PLUNGER (Ref # 16016)	16016-1019	2
JET-NEEDLE (Ref # 16017)	16017-1127	2
VALVE-FLOAT (Ref # 16030)	16030-1016	2
FLOAT (Ref # 16031)	16031-1013	2
PLATE,NEEDLE (Ref # 16055)	16055-010	2
DIAPHRAGM (Ref # 43028)	43028-1032	2
WASHER MAIN JET (Ref # 92022)	16034-001	2
CIRCLIP (Ref # 92037)	16008-014	2
PIN,FLOAT (Ref # 92043)	16032-008	2
"O" RING (Ref # 92055)	92055-044	2
"O" RING (Ref # 92055A)	92055-1105	2
JET-MAIN NO 115R (Ref # 92063)	92063-076	2
MAIN JET,#110R (Ref # 92063A)	92063-1038	2
JET-MAIN,#A120 (Ref # 92063B)	92063-1106	2
JET-MAIN,#117.5 (Ref # 92063C)	92063-1107	2
MAIN JET,A115 (Ref # 92063D)	92063-1109	2
JET-MAIN,#A112.5 (Ref # 92063E)	92063-1110	2
JET-PILOT (Ref # 92064)	92064-1039	2
JET-PILOT,#45 (Canada) (Ref # 92064A)	92064-1040	2

1983 LTD Belt PARTS LIST

CARBURETOR PARTS

ITEM NAME	PART NUMBER	QUANTITY
PLUG,PILOT SCREW (Ref # 92066)	92066-1051	2
SCREW,DRAIN (Ref # 92066A)	92066-1064	2
SPRING,PILOT SCREW (Ref # 92081)	16022-016	2
SPRING,DPHRGM VALVE (Ref # 92081A)	92081-1363	2
SCREW PAN HEAD 4X6 (Ref # 220)	220B0406	2
SCREW PAN HEAD 5X10 (Ref # 220A)	220B0510	8
SCREW-PAN-WS-CROS (Ref # 223)	223B0516	8