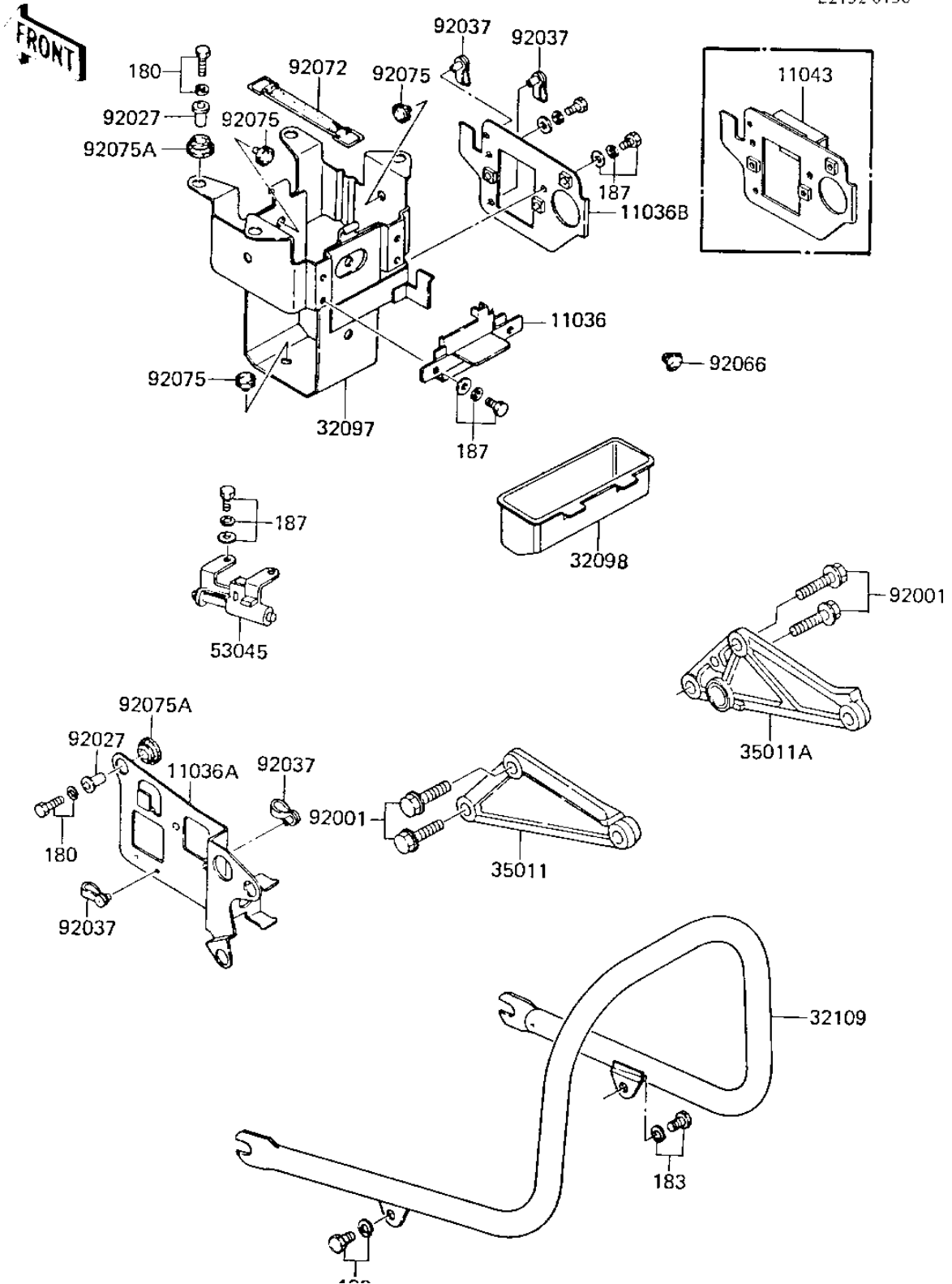


1983 LTD Belt PARTS DIAGRAM

BATTERY CASE/TOOL CASE

E2132-0130



1983 LTD Belt PARTS LIST

BATTERY CASE/TOOL CASE

ITEM NAME	PART NUMBER	QUANTITY
BRACKET-A (Ref # 11036)	11036-1161	1
BRACKET-A,ELECTRIC BA (Ref # 11036A)	11036-1706	1
BRACKET-A (Ref # 11036B)	11036-1707	1
CASE-BATTERY (Ref # 32097)	32097-1060	1
CASE,TOOL (Ref # 32098)	32098-028	1
GRIP-FRAME (Ref # 32109)	32109-1038	1
STAY,MUFFLER,LH (Ref # 35011)	35011-1076	1
STAY,MUFFLER,RH (Ref # 35011A)	35011-1077	1
HOOK ASSY,HELMET (Ref # 53045)	53045-1001	1
BOLT,8X28 (Ref # 92001)	92001-1095	4
COLLAR (Ref # 92027)	92027-194	7
CLAMP (Ref # 92037)	92037-1290	4
PLUG,9.5X8 (Ref # 92066)	92066-1077	1
BAND,BATTERY (Ref # 92072)	92072-071	1
DAMPER RUBBER (Ref # 92075)	92075-078	6
DAMPER RUBBER (Ref # 92075A)	92075-277	7
BOLT-UPSET-WS,6X22 (Ref # 180)	180B0622	7
BOLT 8X14 (Ref # 183)	183B0814	2
BOLT 6X12 (Ref # 187)	187B0612	6