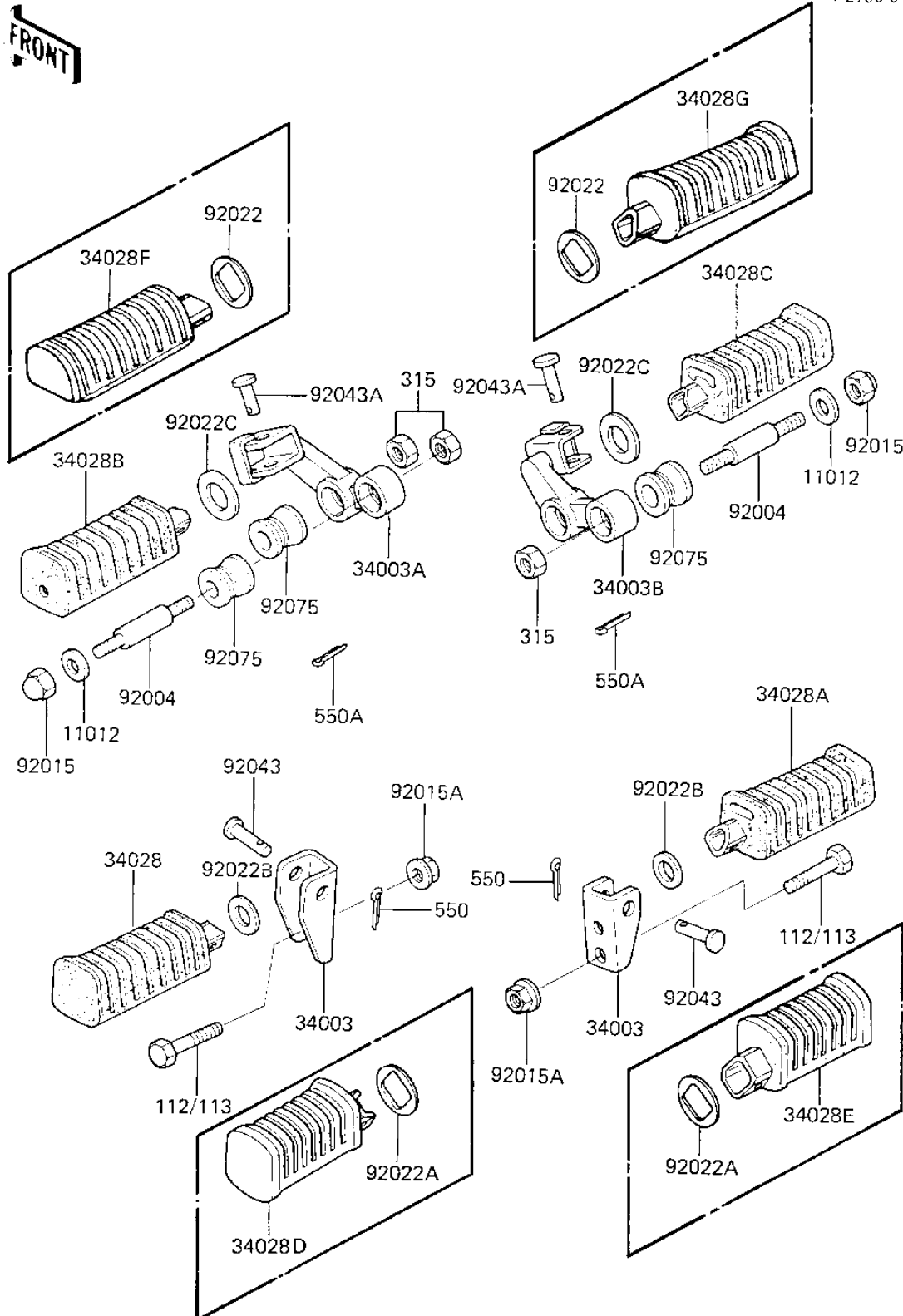


# 1983 LTD Belt PARTS DIAGRAM

FOOTRESTS

F2160-0116



# 1983 LTD Belt PARTS LIST

## FOOTRESTS

ITEM NAME	PART NUMBER	QUANTITY
CAP,FOOTRESTBAR (Ref # 11012)	92102-010	4
HOLDER,REAR FOOTREST (Ref # 34003)	34003-1025	2
HOLDER-STEP,FR,LH (Ref # 34003A)	34003-1144	1
HOLDER-STEP,FR,RH (Ref # 34003B)	34003-1145	1
STEP,RR FOOTREST,L.H (Ref # 34028)	34028-1024	1
STEP,RR FOOTREST,R.H (Ref # 34028A)	34028-1025	1
STEP-ASSY,FR,LH (Ref # 34028B)	34027-1106	1
STEP-ASSY,FR,RH (Ref # 34028C)	34027-1107	1
STUD (Ref # 92004)	92004-067	4
NUT,CAP,LOCK,8MM (Ref # 92015)	92015-1133	4
NUT,FLANGED,10MM (Ref # 92015A)	92015-1428	2
WASHER-PLAIN (Ref # 92022B)	92022-181	2
WASHER,PLAIN (Ref # 92022C)	92022-250	2
PIN (Ref # 92043)	92043-1464	2
PIN,FOOTREST BAR FIT (Ref # 92043A)	92043-115	2
DAMPER RUBBER,FOOTRST (Ref # 92075)	92075-140	4
BOLT,HEX HEAD 10X35 (Ref # 113)	92001-1252	2
NUT 10MM (Ref # 315)	315B1000	4
PIN,COTTER,2.0X12 (Ref # 550)	550D2012	2
PIN,COTTER,2.5X15 (Ref # 550A)	550D2515	2