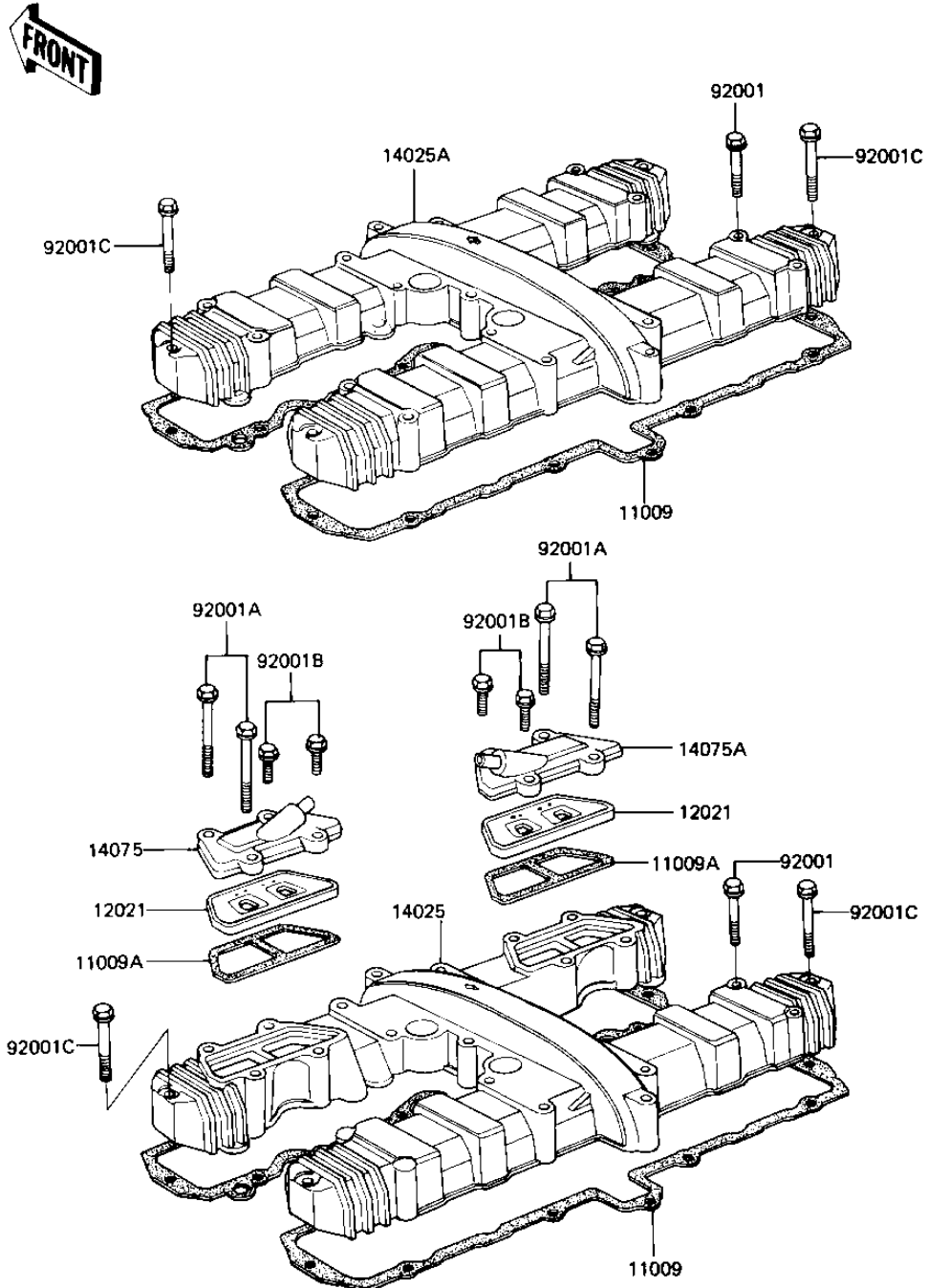


1983 LTD Shaft PARTS DIAGRAM

CYLINDER HEAD COVER

E1112-0055



1983 LTD Shaft PARTS LIST

CYLINDER HEAD COVER

ITEM NAME	PART NUMBER	QUANTITY
GASKET,CYLINDER HEAD (Ref # 11009)	11009-1205	1
GASKET,REED VALVE (Ref # 11009A)	11060-1066	2
VALVE-ASSY-REED (Ref # 12021)	12021-1008	2
COVER,CYLINDER HEAD,S (Ref # 14025)	14025-1465	1
COVER,CYLINDER HEAD,SILVE (Can (Ref # 14025A)	14025-1466	1
CAP-ASSY,REED VALVE,L (Ref # 14075)	14075-5018	1
CAP-ASSY,REED VALVE,R (Ref # 14075A)	14075-5019	1
BOLT,FLANGED,6X45 (Ref # 92001)	92001-1350	16
BOLT,FLANGED,6X45 (Ref # 92001)	92001-1350	20
BOLT,FLANGED,6X70 (Ref # 92001A)	92001-1351	4
BOLT,FLANGED,6X22 (Ref # 92001B)	92001-1352	4
BOLT,FLANGED,6X52 (Ref # 92001C)	92001-1353	4