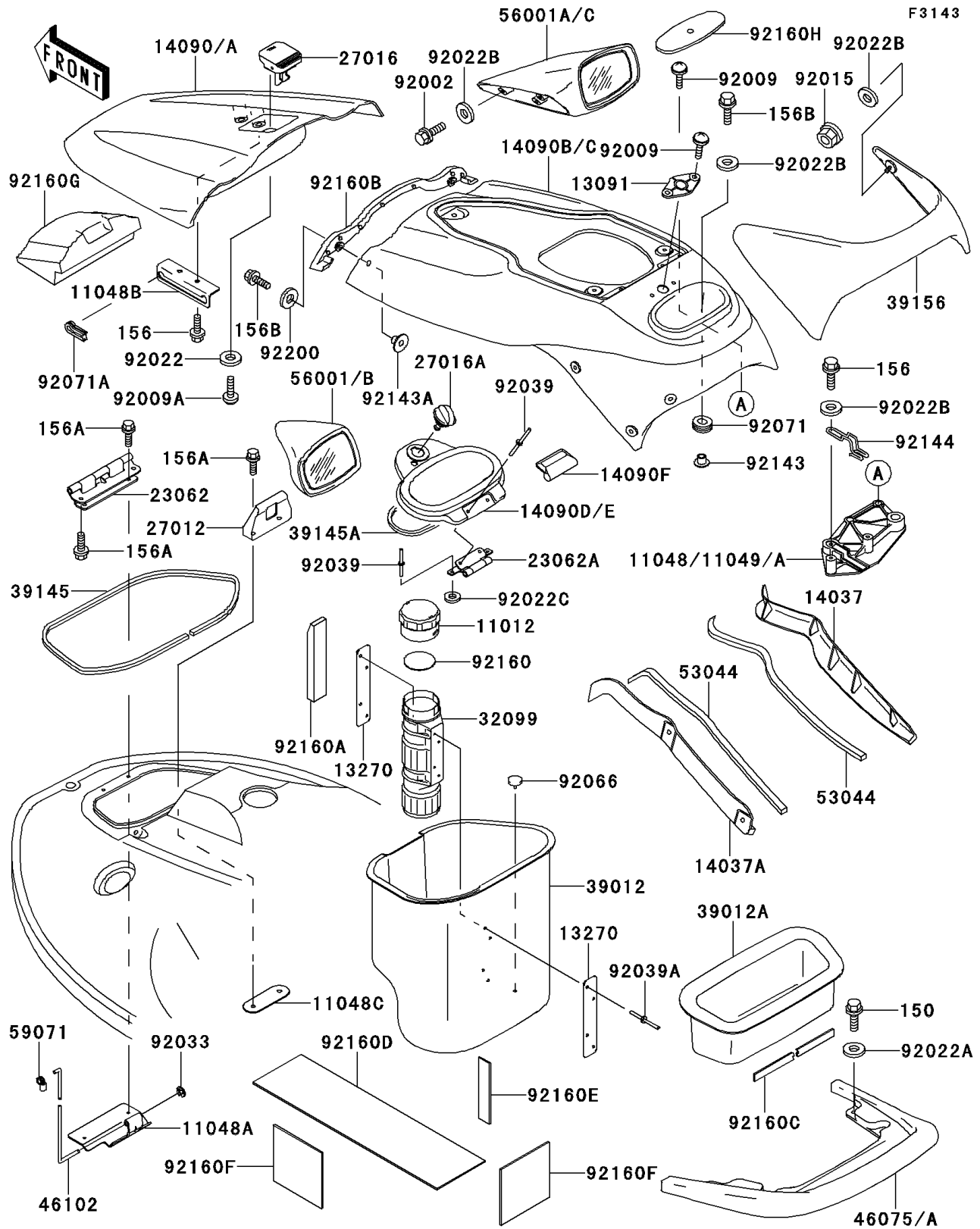


# 1997 750 ZXi PARTS DIAGRAM

## Hull Fittings



# 1997 750 ZXi PARTS LIST

## Hull Fittings

| ITEM NAME                                 | PART NUMBER   | QUANTITY |
|---|---------------|----------|
| CAP,FIRE EXTINGUISHER (Ref # 11012)       | 11012-3766    | 1        |
| BRACKET,HATCH COVER (Ref # 11048A)        | 11048-3776    | 1        |
| BRACKET,HATCH COVER (Ref # 11048B)        | 11048-3777    | 1        |
| BRACKET,HATCH COVER LOCK (Ref # 11048C)   | 11048-3778    | 1        |
| BRACKET,FUEL TAP (Ref # 11049)            | 11049-3714    | 1        |
| HOLDER,LOCK (Ref # 13091)                 | 13091-3789    | 1        |
| PLATE,FIRE EXTINGUISHER (Ref # 13270)     | 13270-3729    | 2        |
| SCREEN,HANDLE COVER,RH (Ref # 14037)      | 14037-3705    | 1        |
| SCREEN,HANDLE COVER,LH (Ref # 14037A)     | 14037-3706    | 1        |
| COVER,HATCH,F.RED (Ref # 14090)           | 14090-3747-B1 | 1        |
| COVER,HANDLE,F.RED (Ref # 14090B)         | 14090-3748-B1 | 1        |
| COVER,CENTER STORAGE,F.RED (Ref # 14090D) | 14090-3757-B1 | 1        |
| COVER,STORAGE HINGE,GRAY (Ref # 14090F)   | 14090-3763-RA | 1        |
| BRACKET-COMP,HATCH COVER (Ref # 23062)    | 23062-3711    | 1        |
| BRACKET-COMP,STORAGE HINGE (Ref # 23062A) | 23062-3713    | 1        |
| HOOK,HATCH COVER LOCK (Ref # 27012)       | 27012-3778    | 1        |
| LOCK-ASSY,HATCH COVER (Ref # 27016)       | 27016-3721    | 1        |
| LOCK-ASSY,STORAGE COVER (Ref # 27016A)    | 27016-3732    | 1        |
| CASE,FIRE EXTINGUISHER (Ref # 32099)      | 32099-3769    | 1        |
| CASE-STORAGE,FR (Ref # 39012)             | 39012-3713    | 1        |
| CASE-STORAGE,TOOL CASE (Ref # 39012A)     | 39012-3714    | 1        |
| TRIM-SEAL (Ref # 39145)                   | 39145-3743    | 1        |
| TRIM-SEAL,L=450 (Ref # 39145A)            | 39145-3744    | 1        |
| PAD,KNEE,J.S.VIOLET (Ref # 39156)         | 39156-3782-PJ | 1        |
| GRIP,TAIL,J.S.VIOLET (Ref # 46075)        | 46075-3736-RE | 1        |
| ROD,HATCH COVER STOPPER (Ref # 46102)     | 46102-3722    | 1        |
| TRIM,L=385 (Ref # 53044)                  | 53044-1255    | 2        |
| MIRROR-ASSY,LH,J.S.VIOLET (Ref # 56001B)  | 56001-3707-RE | 1        |
| MIRROR-ASSY,RH,J.S.VIOLET (Ref # 56001C)  | 56001-3708-RE | 1        |

# 1997 750 ZXi PARTS LIST

## Hull Fittings

| ITEM NAME                             | PART NUMBER | QUANTITY |
|---------------------------------------|-------------|----------|
| BOLT-WS,6X20 (Ref # 150)              | 150R0620    | 4        |
| BOLT-WP,6X12 (Ref # 156)              | 156R0612    | 3        |
| BOLT-WP,6X18 (Ref # 156A)             | 156R0618    | 6        |
| BOLT-WP,6X25 (Ref # 156B)             | 156R0625    | 4        |
| JOINT (Ref # 59071)                   | 59071-3743  | 1        |
| BOLT,6X30 (Ref # 92002)               | 92002-3726  | 6        |
| SCREW,6X20 (Ref # 92009)              | 92009-3781  | 4        |
| SCREW,5X16 (Ref # 92009A)             | 92009-3789  | 2        |
| NUT,6MM (Ref # 92015)                 | 92015-3767  | 6        |
| WASHER,5X16X1.5 (Ref # 92022)         | 92022-3041  | 2        |
| WASHER,6.5X20X1.5 (Ref # 92022A)      | 92022-3710  | 4        |
| WASHER,6.2X20X2 (Ref # 92022B)        | 92022-3714  | 15       |
| WASHER (Ref # 92022C)                 | 92022-563   | 2        |
| RING-SNAP,E-TYPE,4MM (Ref # 92033)    | 92033-3722  | 1        |
| RIVET,4MM (Ref # 92039)               | 92039-3703  | 4        |
| RIVET (Ref # 92039A)                  | 92039-3755  | 4        |
| PLUG (Ref # 92066)                    | 92066-3752  | 1        |
| GROMMET (Ref # 92071)                 | 92071-3808  | 2        |
| GROMMET (Ref # 92071A)                | 92071-3809  | 1        |
| COLLAR (Ref # 92143)                  | 92143-3750  | 2        |
| COLLAR (Ref # 92143A)                 | 92143-3753  | 2        |
| SPRING (Ref # 92144)                  | 92144-3746  | 1        |
| DAMPER (Ref # 92160)                  | 92160-3814  | 1        |
| DAMPER (Ref # 92160A)                 | 92160-3821  | 1        |
| DAMPER,HANDLE COVER,FR (Ref # 92160B) | 92160-3833  | 1        |
| DAMPER,TOOL CASE (Ref # 92160C)       | 92160-3836  | 1        |
| DAMPER,WATER MUFFLER (Ref # 92160D)   | 92160-3839  | 1        |
| DAMPER,WATER MUFFLER (Ref # 92160E)   | 92160-3840  | 1        |
| DAMPER,WATER MUFFLER (Ref # 92160F)   | 92160-3841  | 2        |

# 1997 750 ZXi PARTS LIST

## Hull Fittings

| ITEM NAME                                    | PART NUMBER | QUANTITY |
|--|-------------|----------|
| DAMPER,FIRE EXTINGUISHER CASE (Ref # 92160G) | 92160-3858  | 1        |
| DAMPER (Ref # 92160H)                        | 92160-3863  | 1        |
| WASHER,7.5X24X1.5 (Ref # 92200)              | 92200-3741  | 2        |