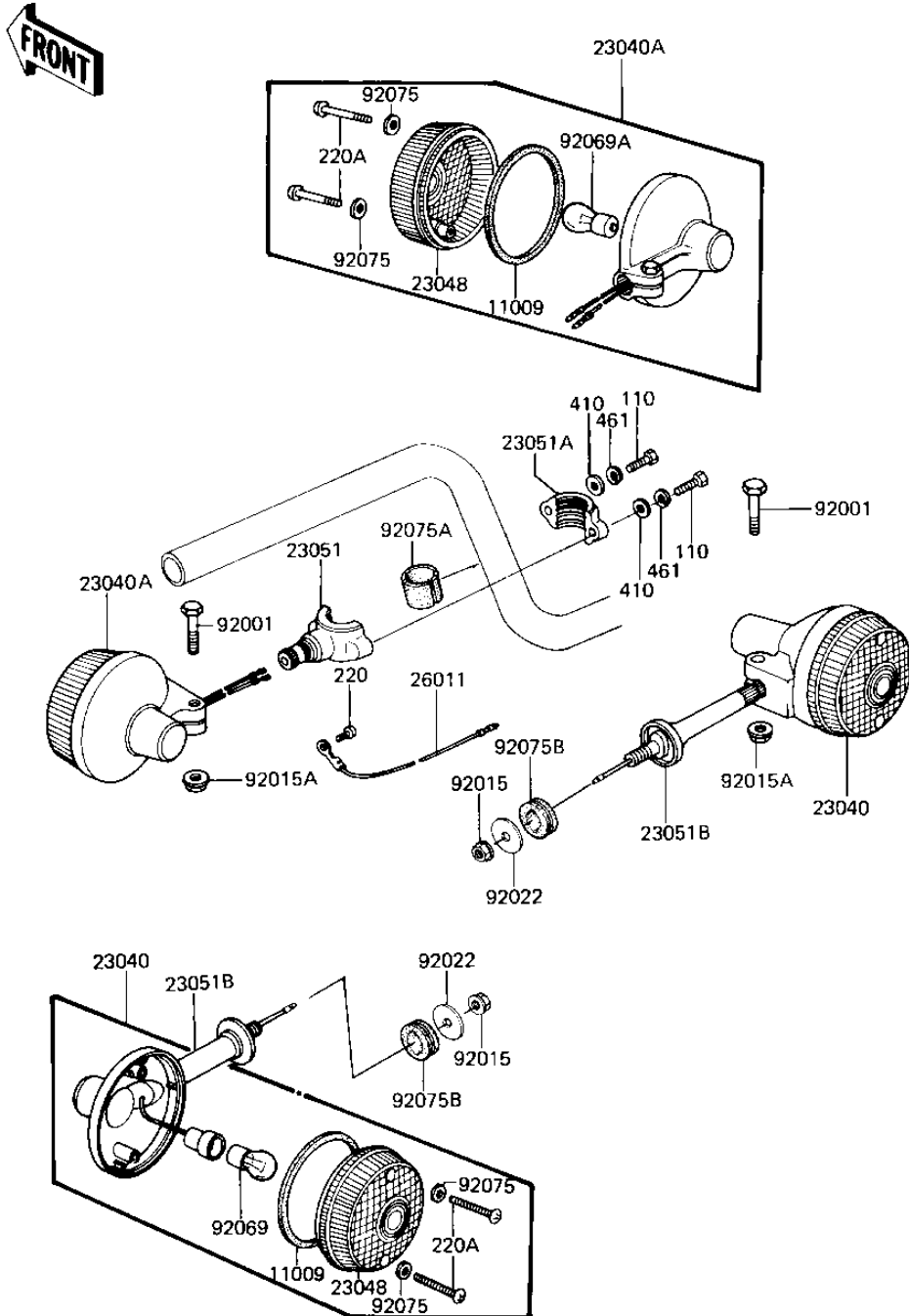


1983 LTD Shaft PARTS DIAGRAM

TURN SIGNALS

F2730-0106



1983 LTD Shaft PARTS LIST

TURN SIGNALS

ITEM NAME	PART NUMBER	QUANTITY
GASKET-SIG LAMP LENS (Ref # 11009)	23050-003	4
LAMP,TURN SIGNAL (Ref # 23040)	23040-054	2
LAMP,FRNT,TURN SIGNAL (Ref # 23040A)	23040-1004	2
LENS,TURN SIGNAL LAMP (Ref # 23048)	23048-1001	4
BRACKET,FRNT TURN SIG (Ref # 23051)	23051-1004	2
BRACKET,SIGNAL LAMP (Ref # 23051A)	23051-1013	2
BRACKET-SIGNAL LAMP (Ref # 23051B)	23051-1088	2
WIRE-TURN SIGNAL LEAD (Ref # 26011)	26011-061	2
BOLT,6X30,CR PLATED (Ref # 92001)	92001-1746	4
NUT,FLANGED,10MM (Ref # 92015)	92015-1428	2
NUT-6MM (Ref # 92015A)	92015-1078	4
WASHER,10.5X37X1.6 (Ref # 92022)	92022-1246	2
BULB 12V 32CP (Ref # 92069)	92069-055	2
BULB,12V 23/8W (Ref # 92069A)	92069-060	2
WASHER-PLAIN,4MM (Ref # 92075)	23058-002	8
DAMPER RUBBER (Ref # 92075A)	23066-003	2
DAMPER,SIGNAL LAMP (Ref # 92075B)	92075-1391	2
BOLT (Ref # 110)	110N0516	4
SCREW PAN HEAD 3X5 (Ref # 220)	220B0305A	2
SCREW-PAN-CROS (Ref # 220A)	220B0420	8
WASHER-PLAIN,5MM (Ref # 410)	410D0500	4
WASHER SPRING 5MM (Ref # 461)	461F0500	4