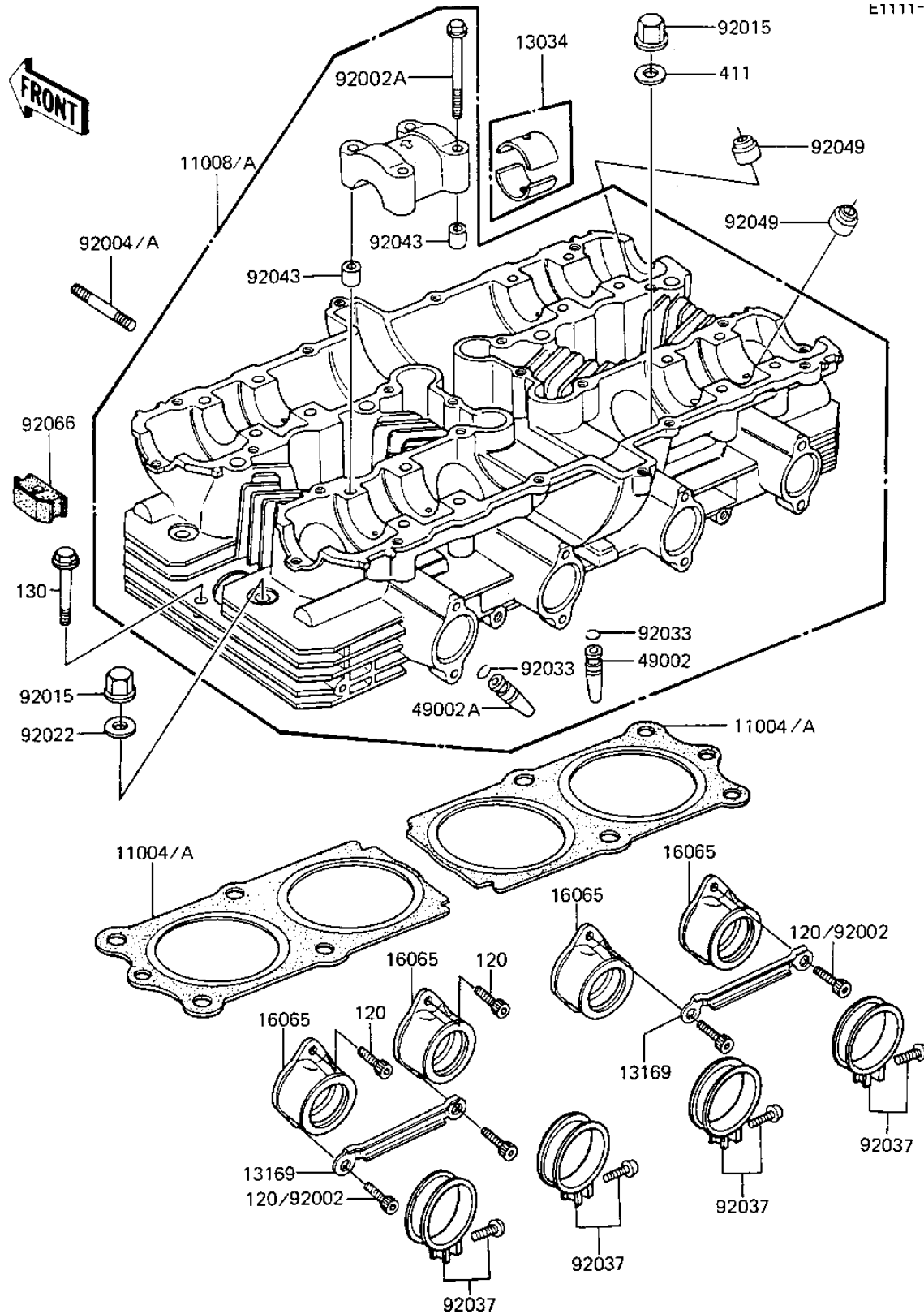


# 1983 GPz PARTS DIAGRAM

## CYLINDER HEAD

E1111-U16U



# 1983 GPz PARTS LIST

## CYLINDER HEAD

ITEM NAME	PART NUMBER	QUANTITY
GASKET-HEAD (Ref # 11004)	11004-1104	2
HEAD-COMP-CYLINDER,BL (Ref # 11008)	11008-1071	1
HEAD-COMP-CYLINDER,F.BLAC (Can (Ref # 11008A)	11008-1073	1
BUSHING,CAMSHAFT (Ref # 13034)	13034-030	16
PLATE,TUBE GUIDE (Ref # 13169)	13169-1793	2
HOLDER-CARBERTOR (Ref # 16065)	16065-1131	4
GUIDE,INLET VALVE (Ref # 49002)	12013-009	4
GUIDE,EXHAUST VALVE (Ref # 49002A)	49002-1002	4
BOLT,6X45 (Ref # 92002A)	92002-1300	16
STUD,8X30,BLACK (Ref # 92004)	92004-1101	8
NUT,FLANGED CAP,10MM (Ref # 92015)	92015-1181	12
WASHER,10.5X22X1.6 (Ref # 92022)	92022-1005	4
CIRCLIP-VALVE (Ref # 92033)	92036-023	8
CLAMP,ID=53,BLACK (Ref # 92037)	92037-1304	4
PIN-DOWEL (Ref # 92043)	92042-007	8
OIL SEAL,RV37129.5 (Ref # 92049)	92049-016	8
PLUG,CYLINDER HEAD CO (Ref # 92066)	92066-1104	4
BOLT-SOCKET,6X16,BLAC (Ref # 120)	120S0616	8
BOLT-FLANGED,6X45,BLA (Ref # 130)	130S0645	2
WASHER PLAIN 10MM (Ref # 411)	411B1000	8