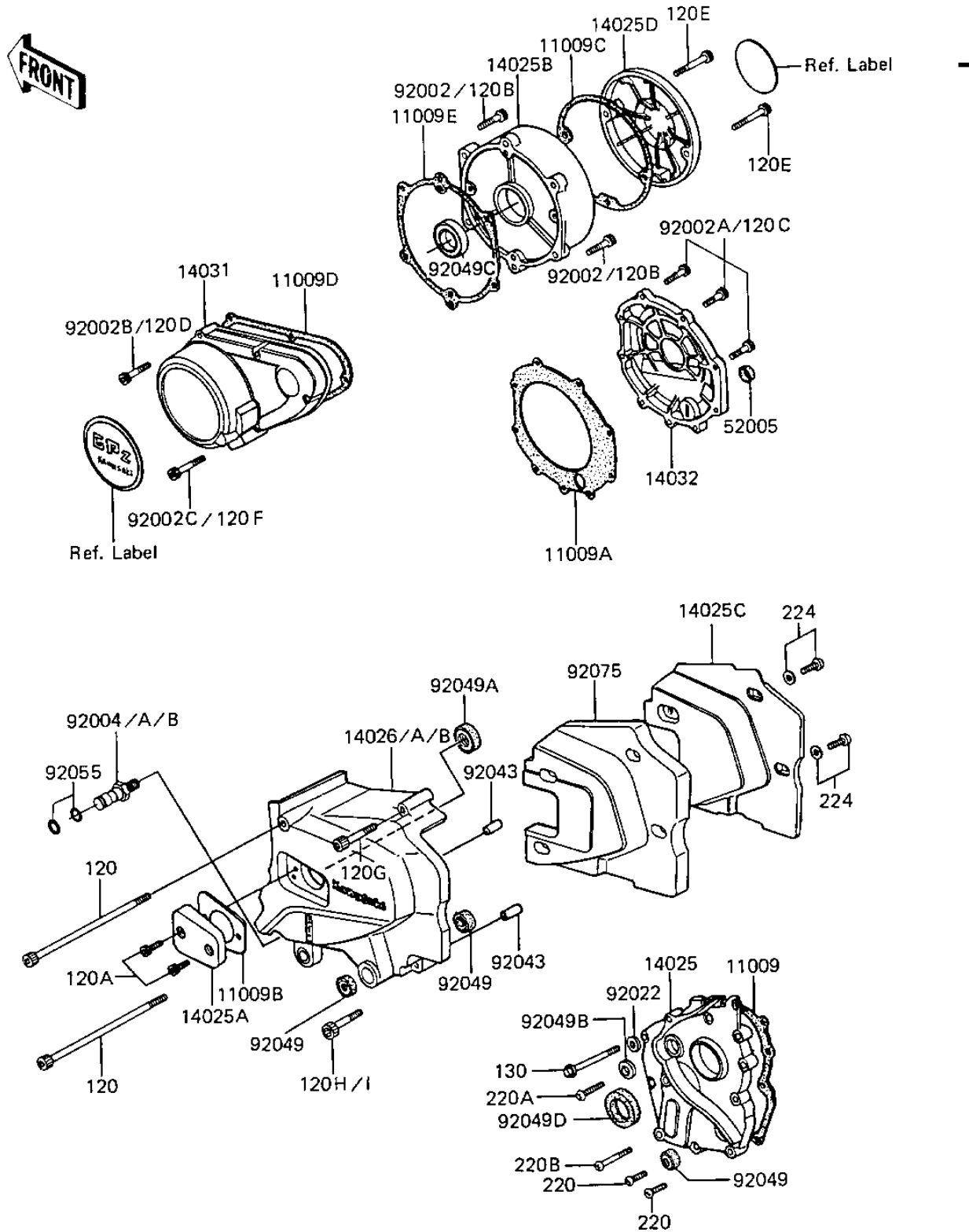


1983 GPz PARTS DIAGRAM

ENGINE COVERS

E1431-0141



1983 GPz PARTS LIST

ENGINE COVERS

| ITEM NAME | PART NUMBER | QUANTITY |
|--------------------------------------|-------------|----------|
| GASKET,TRANSMISSION C (Ref # 11009) | 11060-1069 | 1 |
| GASKET,CLUTCH COVER (Ref # 11009A) | 11060-1070 | 1 |
| GASKET,CLUTCH ADJUSTI (Ref # 11009B) | 11060-1073 | 1 |
| GASKET,PULSING COIL C (Ref # 11009C) | 11060-1072 | 1 |
| GASKET,GENERATOR COVE (Ref # 11009D) | 11060-1075 | 1 |
| GASKET,RH ENGINE COVE (Ref # 11009E) | 11060-1071 | 1 |
| COVER,TRANSMISSION (Ref # 14025) | 14025-1240 | 1 |
| COVER,CLUTCH RELEASES (Ref # 14025A) | 14025-1409 | 1 |
| COVER,ENGINE,RH,BLACK (Ref # 14025B) | 14025-1609 | 1 |
| COVER,SOUND ARRESTER (Ref # 14025C) | 14025-1638 | 1 |
| COVER,PULSING COIL,BL (Ref # 14025D) | 14025-1671 | 1 |
| COVER-CHAIN,BLACK (Ref # 14026) | 14026-1105 | 1 |
| COVER-CHAIN,BLACK (Ref # 14026B) | 14026-1105 | 1 |
| COVER-GENERATOR,BLACK (Ref # 14031) | 14031-1117 | 1 |
| COVER-CLUTCH,BLACK (Ref # 14032) | 14032-1112 | 1 |
| GAUGE,OIL LEVEL (Ref # 52005) | 52005-1009 | 1 |
| STUD,CHANGE PEDAL PIV (Ref # 92004) | 92004-1034 | 1 |
| STUD,CHANGE PEDAL PIV (Ref # 92004A) | 92004-1107 | 1 |
| WASHER OIL PUMP BANJO (Ref # 92022) | 92022-077 | 1 |
| PIN-DOWEL (Ref # 92043) | 92042-007 | 2 |
| OIL SEAL SB12205 (Ref # 92049) | 92049-004 | 3 |
| OIL SEAL,CLUTCH RELES (Ref # 92049A) | 92049-1003 | 1 |
| OIL SEAL,SD-8187 (Ref # 92049B) | 92049-1017 | 1 |
| OIL SEAL,SC32487 (Ref # 92049C) | 92049-1033 | 1 |
| SEAL-OIL (Ref # 92049D) | 92049-1070 | 1 |
| DAMPER,SOUND (Ref # 92075) | 92075-1444 | 1 |
| BOLT-SOCKET,6X125,BLA (Ref # 120) | 120S06125 | 2 |
| BOLT-SOCKET,6X14,BLAC (Ref # 120A) | 120S0614 | 2 |
| BOLT,SOCKET,6X22 (Ref # 120B) | 92002-1326 | 6 |

1983 GPz PARTS LIST

ENGINE COVERS

| ITEM NAME | PART NUMBER | QUANTITY |
|------------------------------------|-------------|----------|
| BOLT,SOCKET,6X25,BLAC (Ref # 120C) | 120S0625 | 9 |
| BOLT,SOCKET,6X30,BLAC (Ref # 120D) | 120S0630 | 6 |
| BOLT-SOCKET,6X35,BLAC (Ref # 120E) | 120S0635 | 2 |
| BOLT-SOCKET,6X40 (Ref # 120F) | 120S0640 | 2 |
| BOLT-SOCKET,6X70,BLAC (Ref # 120G) | 120S0670 | 1 |
| BOLT-SOCKET,6X80,BLAC (Ref # 120I) | 120S0680 | 1 |
| BOLT,FLANGED,6X55 (Ref # 130) | 130G0655 | 1 |
| SCREW PAN HEAD 6X20 (Ref # 220) | 220B0620 | 6 |
| SCREW PAN HEAD 6X28 (Ref # 220A) | 220B0628 | 1 |
| SCREW PAN HEAD 6X40 (Ref # 220B) | 220B0640 | 2 |
| SCREW-PAN-WP-CROS (Ref # 224) | 224B0612 | 4 |