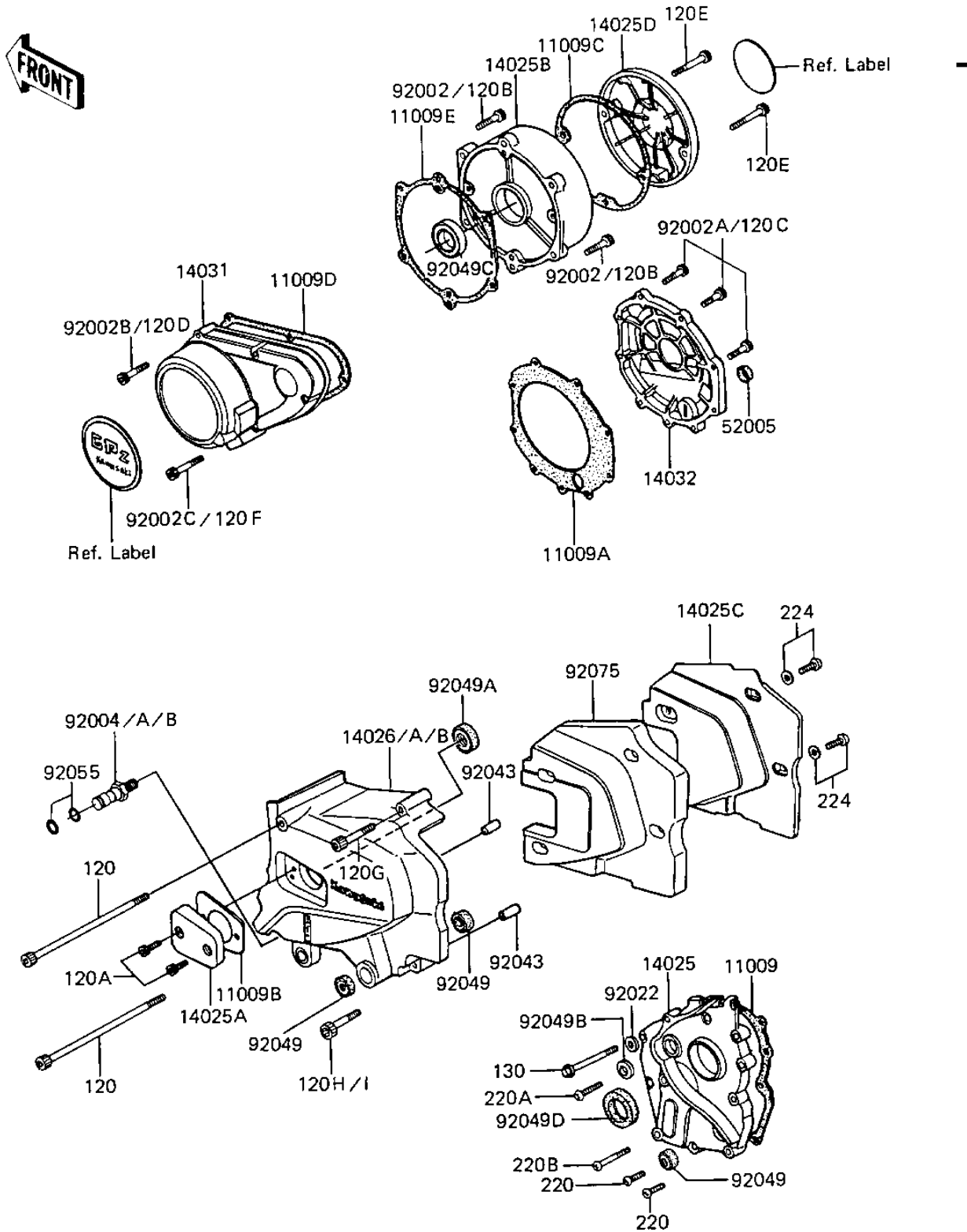


1984 GPz PARTS DIAGRAM

ENGINE COVERS

E1431-0141



1984 GPz PARTS LIST

ENGINE COVERS

ITEM NAME	PART NUMBER	QUANTITY
GASKET,TRANSMISSION C (Ref # 11009)	11060-1069	1
GASKET,CLUTCH COVER (Ref # 11009A)	11060-1070	1
GASKET,CLUTCH ADJUSTI (Ref # 11009B)	11060-1073	1
GASKET,PULSING COIL C (Ref # 11009C)	11060-1072	1
GASKET,GENERATOR COVE (Ref # 11009D)	11060-1075	1
GASKET,RH ENGINE COVE (Ref # 11009E)	11060-1071	1
COVER,TRANSMISSION (Ref # 14025)	14025-1240	1
COVER,CLUTCH RELEASES (Ref # 14025A)	14025-1409	1
COVER,ENGINE,RH,BLACK (Ref # 14025B)	14025-1609	1
COVER,SOUND ARRESTER (Ref # 14025C)	14025-1638	1
COVER,PULSING COIL,BL (Ref # 14025D)	14025-1671	1
COVER-CHAIN,BLACK (Ref # 14026A)	14026-1105	1
COVER-GENERATOR,BLACK (Ref # 14031)	14031-1117	1
COVER-CLUTCH,BLACK (Ref # 14032)	14032-1112	1
GAUGE,OIL LEVEL (Ref # 52005)	52005-1009	1
BOLT,SOCKET,6X22 (Ref # 92002)	92002-1326	6
BOLT,6X25 (Ref # 92002A)	92002-1093	9
BOLT,6X30 (Ref # 92002B)	92002-1095	6
BOLT-SOCKET,6X40 (Ref # 92002C)	120S0640	2
STUD,CHANGE PEDAL PIV (Ref # 92004B)	92004-1123	1
WASHER OIL PUMP BANJO (Ref # 92022)	92022-077	1
PIN-DOWEL (Ref # 92043)	92042-007	2
OIL SEAL SB12205 (Ref # 92049)	92049-004	3
OIL SEAL,CLUTCH RELES (Ref # 92049A)	92049-1003	1
OIL SEAL,SD-8187 (Ref # 92049B)	92049-1017	1
OIL SEAL,SC32487 (Ref # 92049C)	92049-1033	1
SEAL-OIL (Ref # 92049D)	92049-1070	1
"O" RING,8.8MM (Ref # 92055)	92055-099	2
DAMPER,SOUND (Ref # 92075)	92075-1444	1

1984 GPz PARTS LIST

ENGINE COVERS

ITEM NAME	PART NUMBER	QUANTITY
BOLT-SOCKET,6X125,BLA (Ref # 120)	120S06125	2
BOLT-SOCKET,6X14,BLAC (Ref # 120A)	120S0614	2
BOLT-SOCKET,6X35,BLAC (Ref # 120E)	120S0635	2
BOLT-SOCKET,6X70,BLAC (Ref # 120G)	120S0670	1
BOLT-SOCKET,6X80,BLAC (Ref # 120H)	120S0680	1
BOLT,FLANGED,6X55 (Ref # 130)	130G0655	1
SCREW PAN HEAD 6X20 (Ref # 220)	220B0620	6
SCREW PAN HEAD 6X28 (Ref # 220A)	220B0628	1
SCREW PAN HEAD 6X40 (Ref # 220B)	220B0640	2
SCREW-PAN-WP-CROS (Ref # 224)	224B0612	4