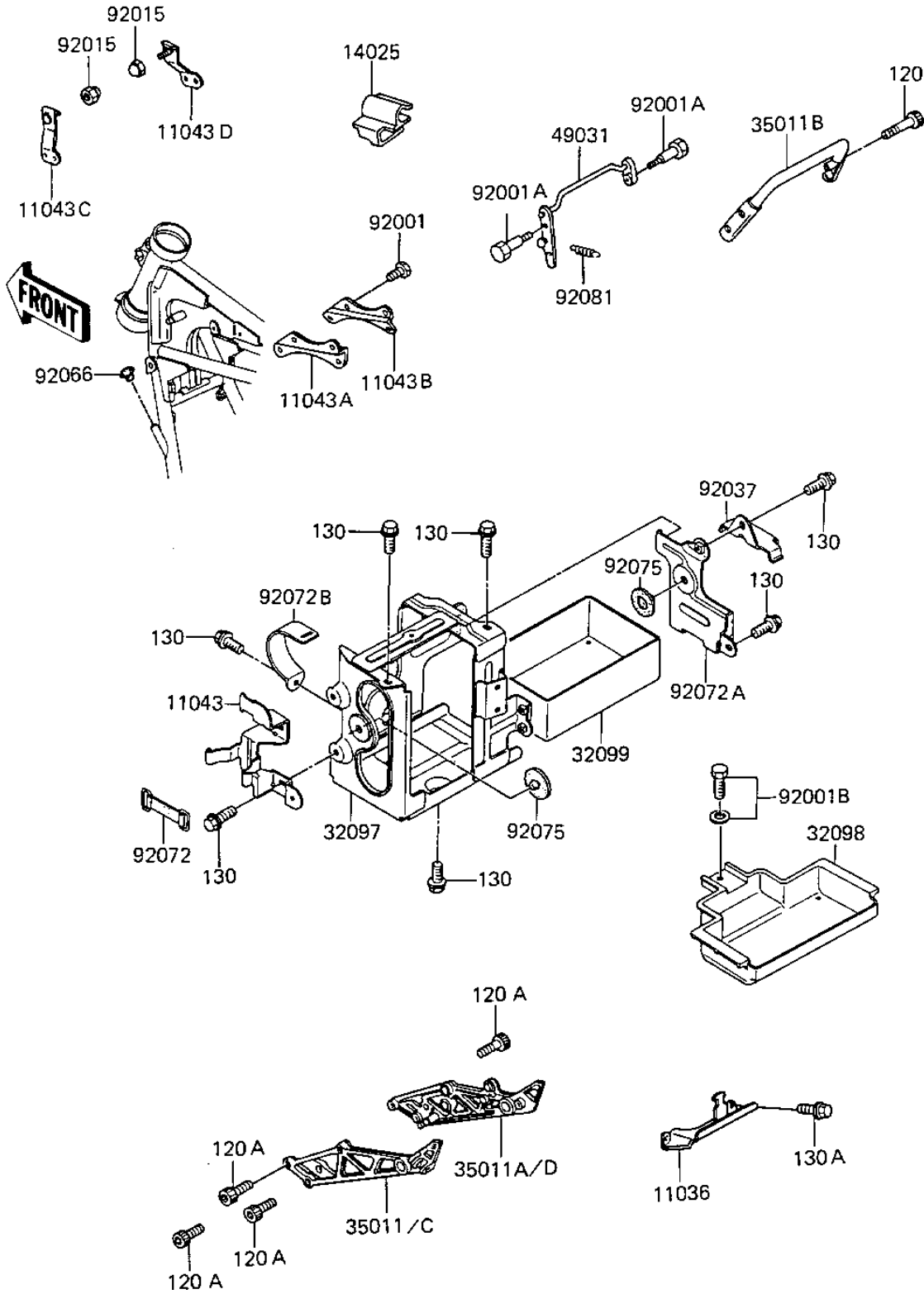


1983 GPz PARTS DIAGRAM

BATTERY CASE/TOOL CASE

F2132-0116



1983 GPz PARTS LIST

BATTERY CASE/TOOL CASE

ITEM NAME	PART NUMBER	QUANTITY
BRACKET-A,FENDER (Ref # 11036)	11036-1972	1
BRACKET-B,FUEL FILTER (Ref # 11043)	11043-1034	1
BRACKET-B,COIL,LH (Ref # 11043A)	11043-1160	1
BRACKET-B,COIL,RH (Ref # 11043B)	11043-1161	1
BRACKET-B,REFLECTOR,L (Ref # 11043C)	11043-1216	1
BRACKET-B,REFLECTOR,R (Ref # 11043D)	11043-1217	1
COVER,BATTERY (Ref # 14025)	14025-1762	1
CASE-BATTERY (Ref # 32097)	32097-1067	1
CASE-TOOL (Ref # 32098)	32098-1025	1
CASE (Ref # 32099)	32099-1009	1
STAY,MUFFLER,LH (Ref # 35011)	35011-1212	1
STAY,MUFFLER,RH (Ref # 35011A)	35011-1213	1
STAY,GRAB RALL (Ref # 35011B)	35011-1201	1
LATCH,SEAT LOCK (Ref # 49031)	49031-1007	1
BOLT,HEX HEAD,6MM (Ref # 92001)	92001-137	4
BOLT (Ref # 92001A)	92001-1406	2
BOLT,6X22 (Ref # 92001B)	92002-1262	1
NUT,CAP 6MM,BLACK (Ref # 92015)	92015-1170	2
CLAMP,IGNITER (Ref # 92037)	92037-1398	1
PLUG,9.5X8 (Ref # 92066)	92066-1077	1
BAND,AIR CLEANER FITT (Ref # 92072)	92072-1017	1
BAND,BATTERY (Ref # 92072A)	92072-1101	1
BAND,FUEL PUMP (Ref # 92072B)	92072-1102	1
DAMPER RUBBER (Ref # 92075)	92075-078	2
SPRING,SEAT LOCK (Ref # 92081)	92081-1544	1
BOLT-SOCKET,6X45,BLAC (Ref # 120)	120S0645	4
BOLT-SOCKET,8X30,BLAC (Ref # 120A)	120S0830	6
BOLT,FLANGED,6X10 (Ref # 130)	130B0610	8
BOLT,FLANGE (Ref # 130A)	130B0812	2