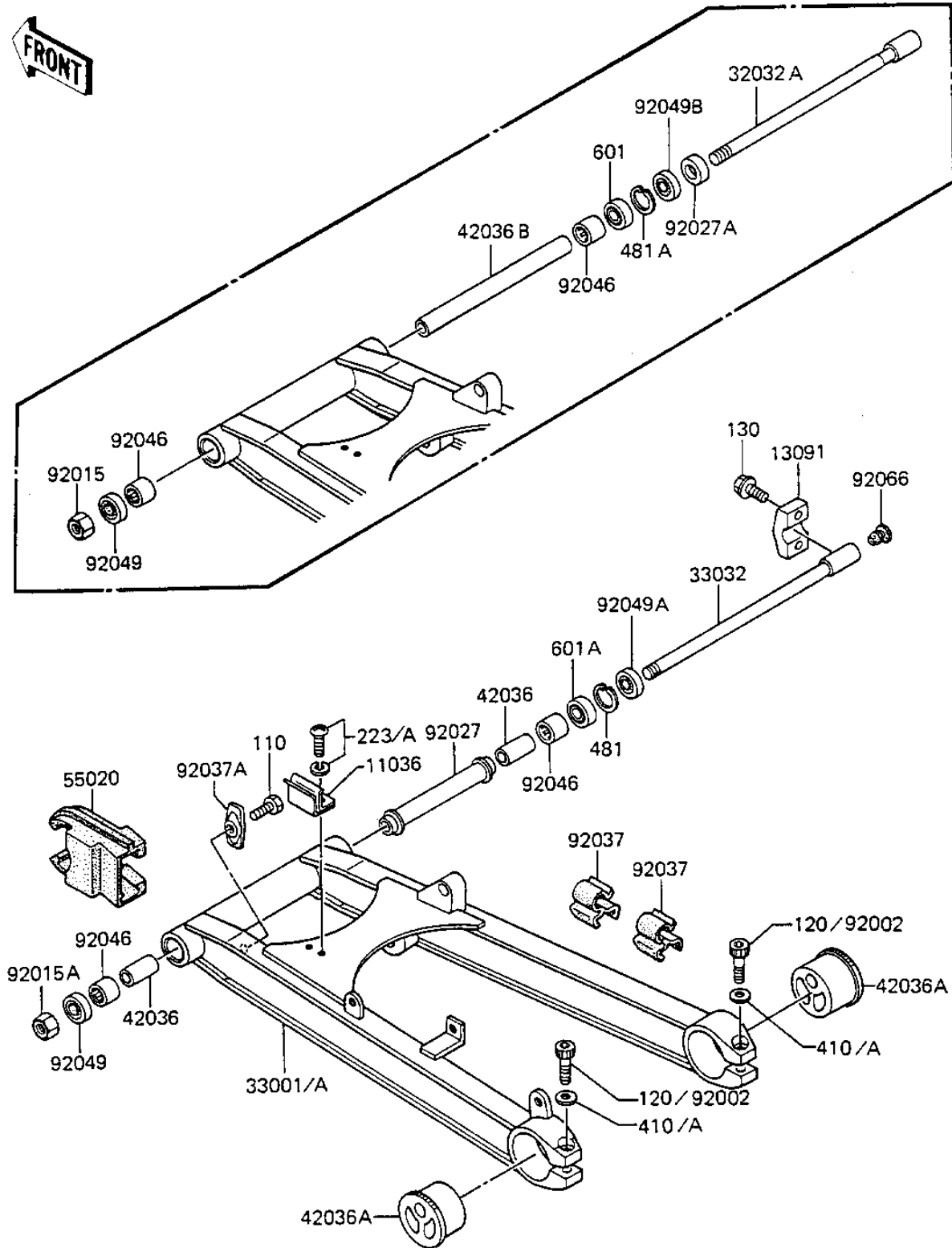


1983 GPz PARTS DIAGRAM

SWING ARM

F2141-0004



1983 GPz PARTS LIST

SWING ARM

ITEM NAME	PART NUMBER	QUANTITY
BRACKET-A,CAIN CASE (Ref # 11036)	11036-1868	1
HOLDER,SWNG ARM SHAFT (Ref # 13091)	13091-1180	1
ARM-COMP-SWING (Ref # 33001)	33001-1168	1
SHAFT-SWING ARM (Ref # 33032)	33032-1039	1
SLEEVE,SWING ARM (Ref # 42036)	42036-1073	2
SLEEVE,SWING ARM (Ref # 42036A)	42036-1074	2
GUARD,CHAIN (Ref # 55020)	55020-1100	1
NUT,LOCK,14MM,BLACK (Ref # 92015A)	92015-1212	1
COLLAR (Ref # 92027)	92027-1561	1
CLAMP,BRAKE HOSE (Ref # 92037)	92037-1392	2
CLAMP,CHAIN GARD (Ref # 92037A)	92037-1415	1
BEARING-NEEDLE (Ref # 92046)	92046-1035	2
SEAL-OIL (Ref # 92049)	92049-1060	1
SEAL-OIL,DD20357 (Ref # 92049A)	92049-1095	1
PLUG,SWING ARM SHAFT (Ref # 92066)	92066-1125	1
BOLT HEX HEAD 5X8 (Ref # 110)	110B0508	1
BOLT-SOCKET,10X35 (Ref # 120)	120P1035	2
BOLT-FLANGED,10X30,BL (Ref # 130)	130S1030	2
SCREW-PAN-WS-CROS (Ref # 223)	223B0508	2
WASHER PLAIN 10MM (Ref # 410)	410B1000	2
CIRCLIP,35MM (Ref # 481)	481J3500	1
BEARING BALL #6202 (Ref # 601A)	601B6202	1