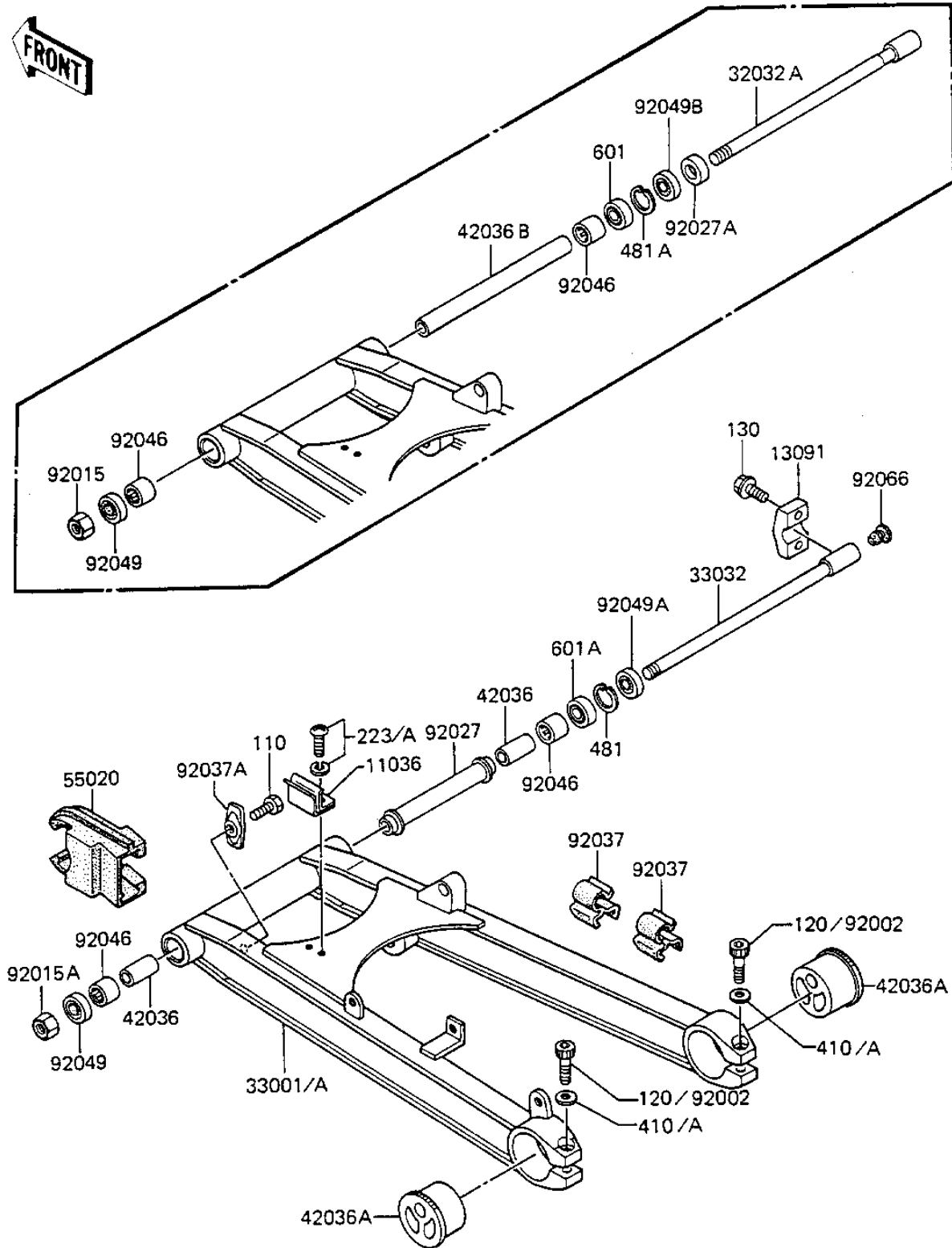


1984 GPz PARTS DIAGRAM

SWING ARM

F2141-0004



1984 GPz PARTS LIST

SWING ARM

ITEM NAME	PART NUMBER	QUANTITY
BRACKET-A,CAIN CASE (Ref # 11036)	11036-1868	1
HOLDER,SWNG ARM SHAFT (Ref # 13091)	13091-1180	1
ARM-COMP-SWING,G.SILV (Ref # 33001A)	33001-1213-F2	1
SHAFT-SWING ARM (Ref # 33032A)	33032-1106	1
SLEEVE,SWING ARM (Ref # 42036A)	42036-1074	2
SLEEVE,17.1X25X231 (Ref # 42036B)	42036-1116	1
GUARD,CHAIN (Ref # 55020)	55020-1100	1
BOLT (Ref # 92002)	92002-1452	2
NUT,LOCK,16MM,BLACK (Ref # 92015)	92015-1207	1
COLLAR (Ref # 92027A)	92027-1737	1
CLAMP,BRAKE HOSE (Ref # 92037)	92037-1392	2
CLAMP,CHAIN GARD (Ref # 92037A)	92037-1415	1
BEARING-NEEDLE (Ref # 92046)	92046-1035	2
SEAL-OIL (Ref # 92049)	92049-1060	1
SEAL-OIL,AG1258A0 (Ref # 92049B)	92049-1110	1
PLUG,SWING ARM SHAFT (Ref # 92066)	92066-1125	1
BOLT HEX HEAD 5X8 (Ref # 110)	110B0508	1
BOLT-FLANGED,10X30,BL (Ref # 130)	130S1030	2
SCREW-PAN-WS-CROS (Ref # 223A)	223X0508	2
W-PLAIN-S (Ref # 410A)	410E1000	2
RING, SNAP,43.5M/M (Ref # 481A)	92033-1040	1
BEARING BALL #6203 (Ref # 601)	601A6203	1