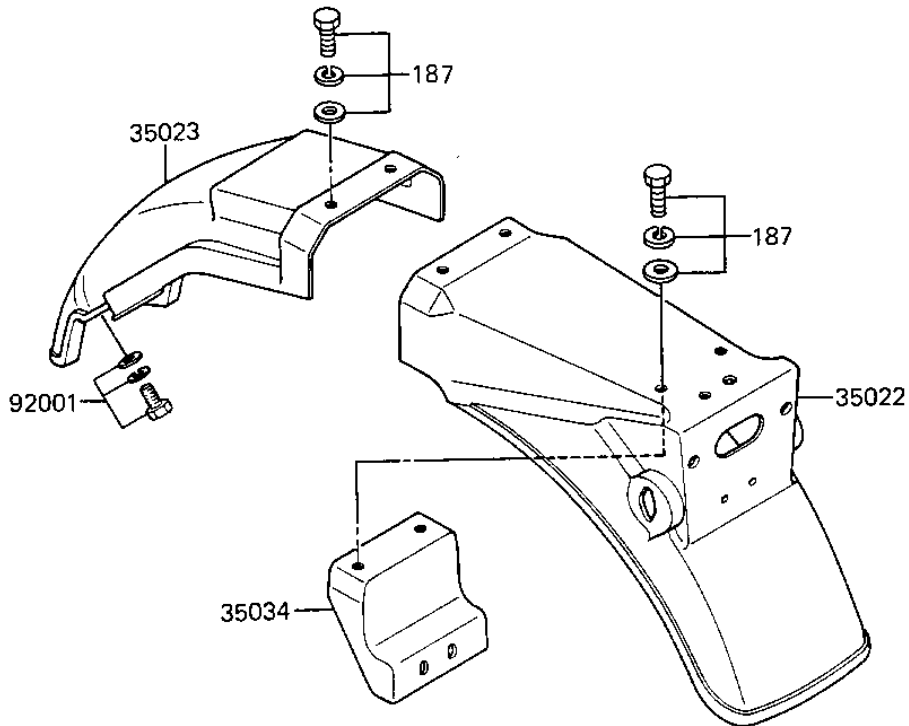
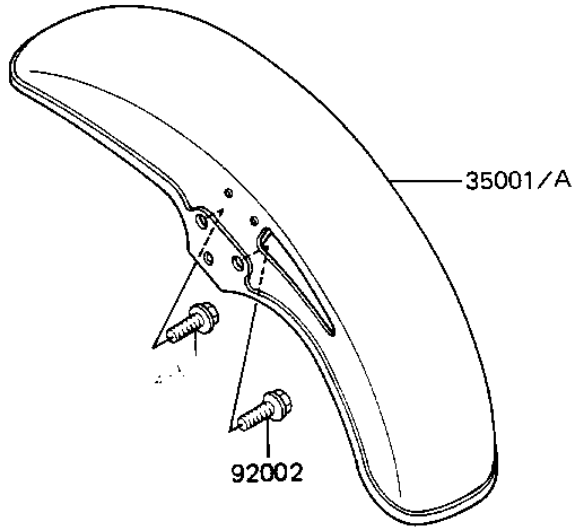


# 1984 GPz PARTS DIAGRAM

FENDERS

F2170-0203



# 1984 GPz PARTS LIST

## FENDERS

| ITEM NAME                            | PART NUMBER   | QUANTITY |
|--------------------------------------|---------------|----------|
| FENDER-ASSY-FRONT,RED (Ref # 35001)  | 35001-1048-B1 | 1        |
| FENDER-ASSY-FRONT,G.S (Ref # 35001A) | 35001-1048-F2 | 1        |
| FENDER-COMP-REAR,RR,B (Ref # 35022)  | 35022-1115-6Z | 1        |
| FENDER-REAR,FR (Ref # 35023)         | 35023-1056    | 1        |
| REINFORCE,FENDER,RR (Ref # 35034)    | 35034-1091    | 1        |
| BOLT,W/SP,6X18 (Ref # 92001)         | 92001-1764    | 2        |
| BOLT,8X20 (Ref # 92002)              | 92002-1134    | 4        |
| BOLT-UPSET-WSP (Ref # 187)           | 187B0618      | 4        |