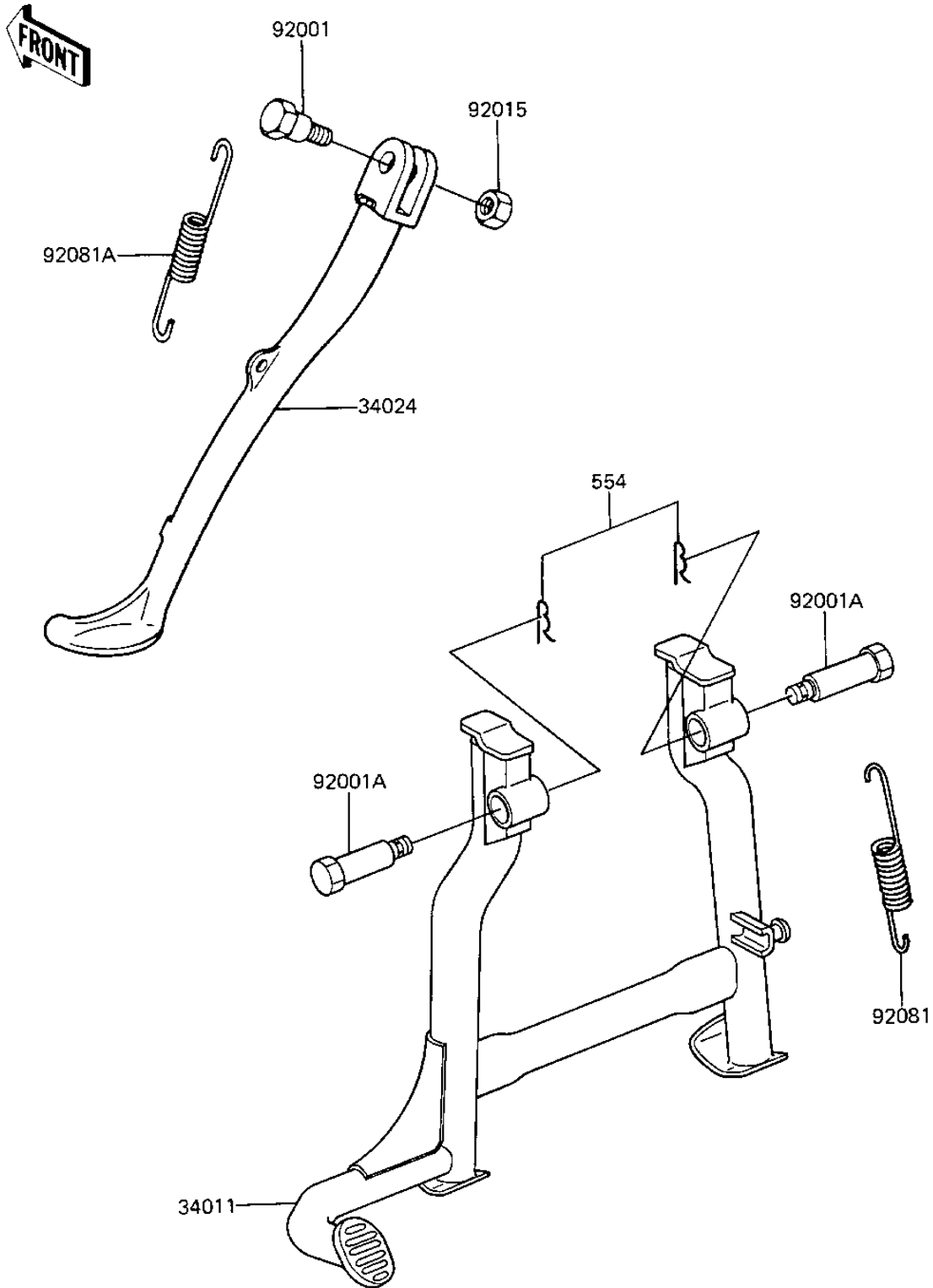


# 1984 GPz PARTS DIAGRAM

STANDS

F2190-0169



# 1984 GPz PARTS LIST

## STANDS

ITEM NAME	PART NUMBER	QUANTITY
STAND-CENTER (Ref # 34011)	34011-1078	1
STAND-SIDE (Ref # 34024)	34024-1097	1
BOLT,8X160,BLACK (Ref # 92001)	92001-1543	1
BOLT,CENTER STAND,10M (Ref # 92001A)	92001-1818	2
NUT,LOCK,10MM,BLACK (Ref # 92015)	92015-1188	1
SPRING,CENTER STAND (Ref # 92081)	92081-1585	1
SPRING,SIDE STAND (Ref # 92081A)	92081-1727	1
PIN-SNAP,10MM (Ref # 554)	554A1000	2