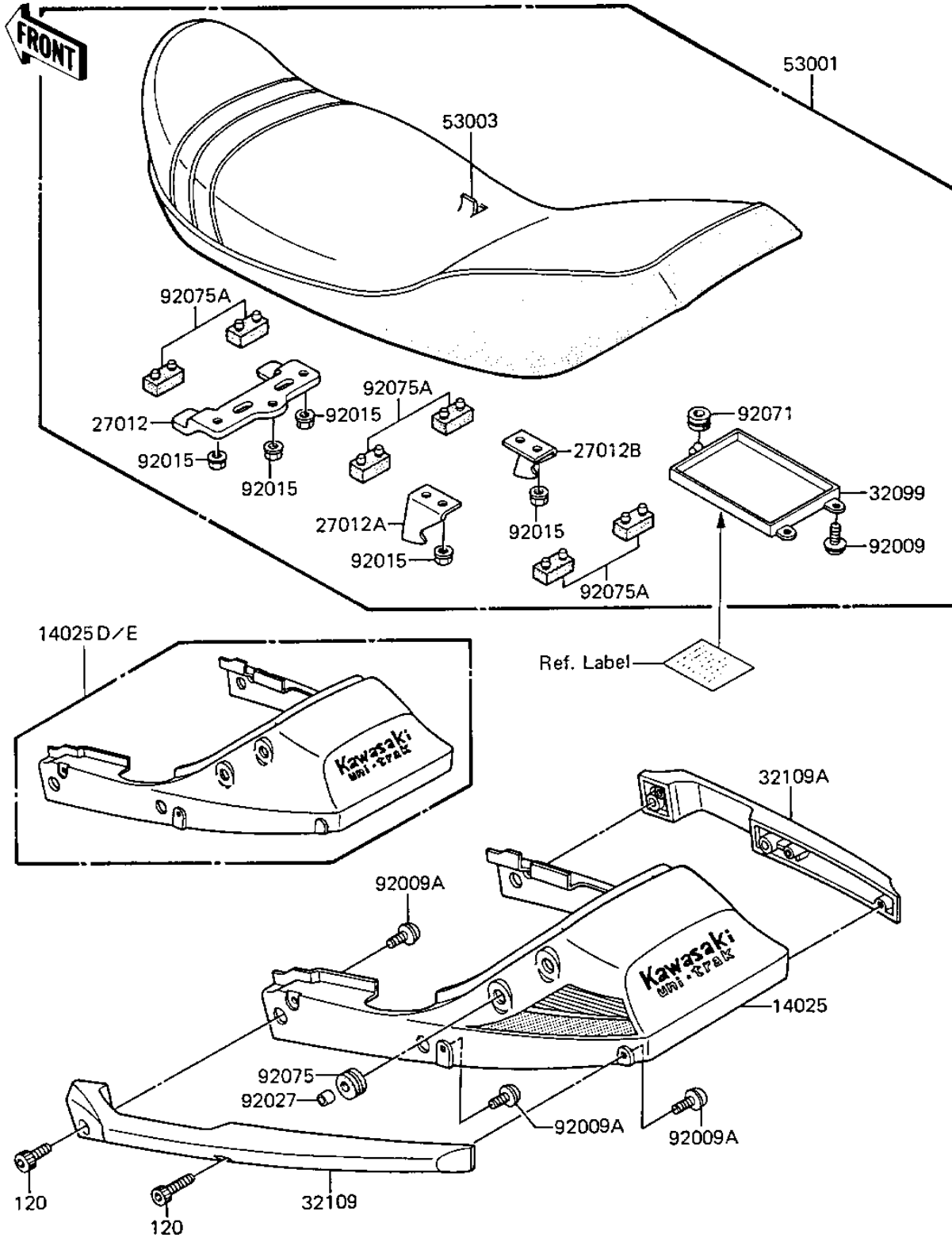


1984 GPz PARTS DIAGRAM

SEAT/SEAT COVER

F251U-0233



1984 GPz PARTS LIST

SEAT/SEAT COVER

ITEM NAME	PART NUMBER	QUANTITY
COVER,SEAT,F.RED (Ref # 14025D)	14025-5136-B1	1
COVER,SEAT,G.SILVER (Ref # 14025E)	14025-5136-F2	1
HOOK,SEAT,FR (Ref # 27012)	27012-1042	1
HOOK,SEAT,RR,LH (Ref # 27012A)	27012-1043	1
HOOK,SEAT,RR,RH (Ref # 27012B)	27012-1044	1
CASE (Ref # 32099)	32099-011	1
GRIP-FRAME,SEAT,LH (Ref # 32109)	32109-1046	1
GRIP-FRAME,SEAT,RH (Ref # 32109A)	32109-1047	1
SEAT-ASSY (Ref # 53001)	53001-1287	1
LEATHER,SEAT (Ref # 53003)	53003-1041	1
SCREW (Ref # 92009)	92009-1043	2
SCREW,SEAT COVER (Ref # 92009A)	92009-1186	6
NUT-6MM (Ref # 92015)	92015-1078	7
COLLAR,6.8X10X8.5 (Ref # 92027)	92027-129	4
GROMMET (Ref # 92071)	92071-056	1
DAMPER RUBBER (Ref # 92075)	92075-1028	4
DAMPER,SEAT,RR (Ref # 92075A)	92075-1276	6
BOLT-SOCKET,8X35,BLAC (Ref # 120)	120S0835	4