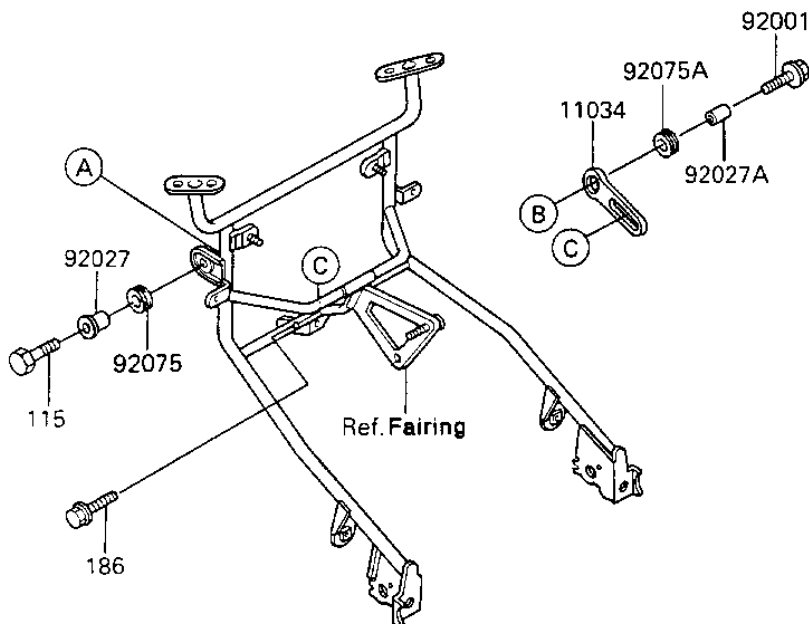
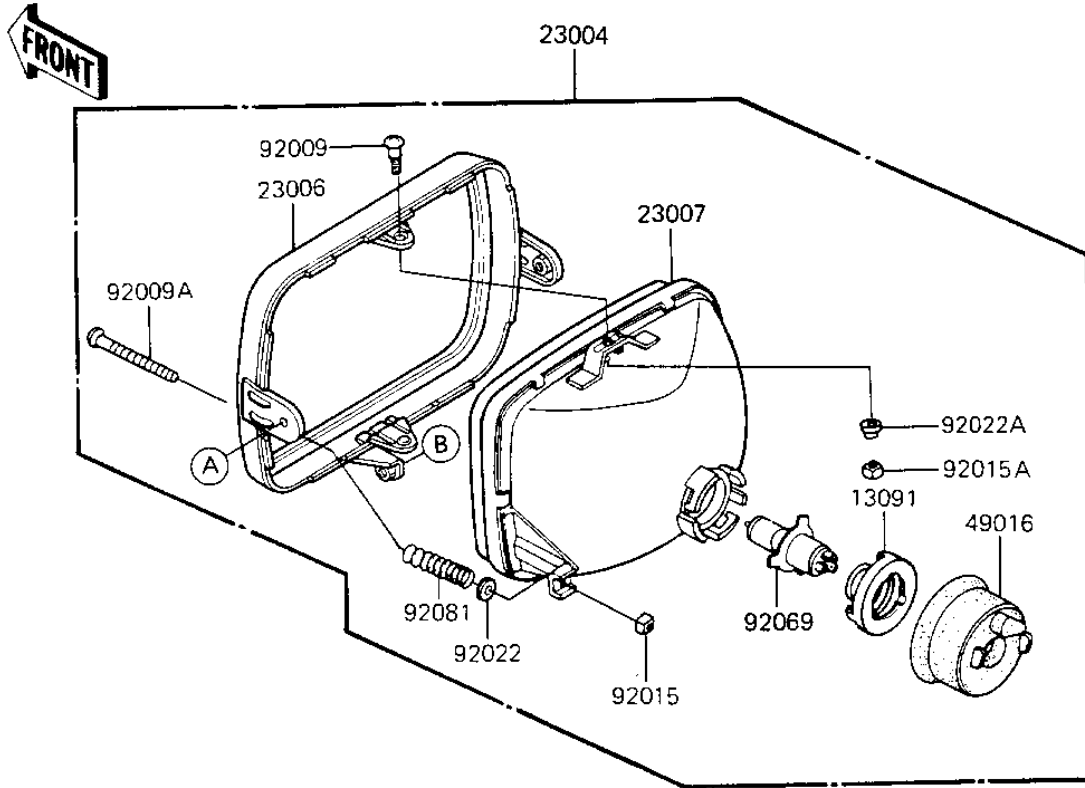


# 1984 GPz PARTS DIAGRAM

HEADLIGHT (ZX1100-A2)

F2710-0207



**(ZX110**

# 1984 GPz PARTS LIST

## HEADLIGHT (ZX1100-A2)

| ITEM NAME                            | PART NUMBER | QUANTITY |
|--------------------------------------|-------------|----------|
| BRACKET,HEAD LIGHT (Ref # 11034)     | 23064-022   | 1        |
| HOLDER,HEAD LAMP SOCK (Ref # 13091)  | 13091-1036  | 1        |
| LAMP-HEAD (Ref # 23004)              | 23004-1151  | 1        |
| RIM-LAMP (Ref # 23006)               | 23006-1051  | 1        |
| LENS-COMP (Ref # 23007)              | 23007-1041  | 1        |
| COVER,HEAD LAMP SOCKE (Ref # 49016)  | 49016-1023  | 1        |
| BOLT,6X22 (Ref # 92001)              | 92002-1262  | 1        |
| SCREW-PAN HEAD,5X12 (Ref # 92009)    | 23019-023   | 2        |
| SCREW,HEAD LAMP LENS (Ref # 92009A)  | 92009-1047  | 1        |
| NUT,4MM (Ref # 92015)                | 23020-018   | 1        |
| NUT,HEAD LAMP RIM FIT (Ref # 92015A) | 23020-023   | 2        |
| WASHER (Ref # 92022)                 | 23021-004   | 1        |
| WASHER-PLAIN,5MM (Ref # 92022A)      | 23021-012   | 2        |
| COLLAR,FUEL TANK FITT (Ref # 92027)  | 92027-1134  | 2        |
| COLLAR,REAR FENDER (Ref # 92027A)    | 92027-162   | 1        |
| BULB,12V-60/55W (Ref # 92069)        | 92069-1002  | 1        |
| DAMPER (Ref # 92075)                 | 92160-1007  | 2        |
| DAMPER RUBBER,RR FENR (Ref # 92075A) | 92075-209   | 1        |
| SPRING,HEAD LAMP LENS (Ref # 92081)  | 92081-1103  | 1        |
| BOLT-SMALL-UPSET 8X25 (Ref # 115)    | 115G0825    | 2        |
| BOLT (Ref # 186)                     | 186B0614    | 1        |