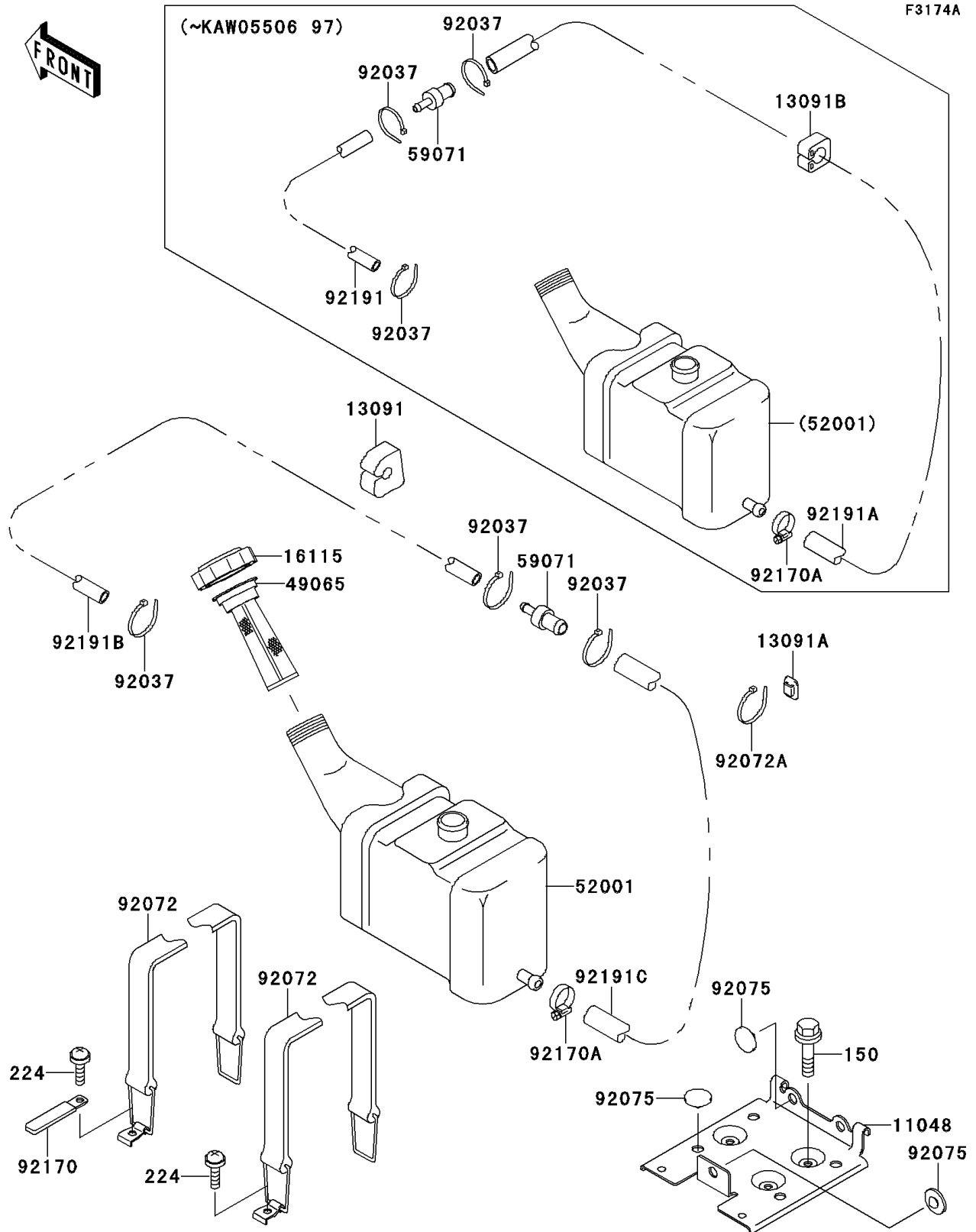


1997 750 ZXi PARTS DIAGRAM

Oil Tank(JH750-C3)



F3174A

1997 750 ZXi PARTS LIST

Oil Tank(JH750-C3)

ITEM NAME	PART NUMBER	QUANTITY
BOLT-WS,6X16 (Ref # 150)	150R0616	3
SCREW-PAN-WP-CROS (Ref # 224)	224R0614	2
BRACKET,OIL TANK (Ref # 11048)	11048-3773	1
HOLDER (Ref # 13091)	13091-3712	4
HOLDER,BAND (Ref # 13091A)	13091-3764	1
HOLDER (Ref # 13091B)	13091-3805	4
CAP-OIL FILLER (Ref # 16115)	16115-3714	1
FILTER-OIL (Ref # 49065)	49065-3703	1
TANK-OIL (Ref # 52001)	52001-3724	1
JOINT (Ref # 59071)	59071-3748	1
CLAMP (Ref # 92037)	92037-1173	3
BAND,BATTERY (Ref # 92072)	92072-3748	2
BAND (Ref # 92072A)	92072-3778	1
DAMPER,RUBBER (Ref # 92075)	92075-261	7
CLAMP (Ref # 92170)	92170-3705	1
CLAMP (Ref # 92170A)	92170-3718	1
TUBE,6X10X100 (Ref # 92191)	92191-3782	1
TUBE,12X17X1400 (Ref # 92191A)	92191-3791	1
TUBE,6X10X900 (Ref # 92191B)	92191-3808	1
TUBE,12X17X600 (Ref # 92191C)	92191-3809	1