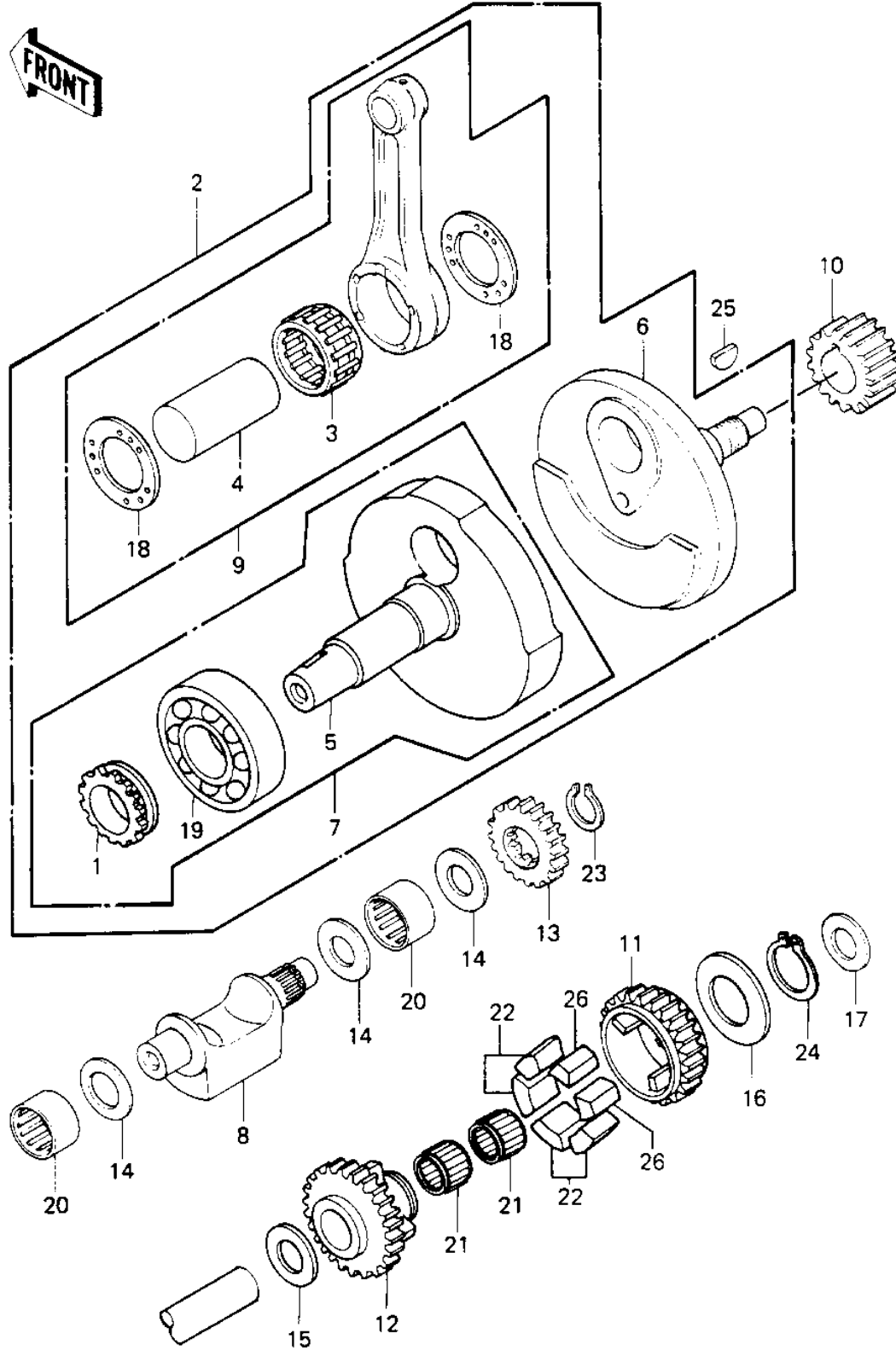


1983 Prairie PARTS DIAGRAM

CRANKSHAFT/BALANCER ('83 C1)

E: 321-0042



10

1983 Prairie PARTS LIST

CRANKSHAFT/BALANCER ('83 C1)

| ITEM NAME | PART NUMBER | QUANTITY |
|----------------------------------|-------------|----------|
| SPROCKET,16T (Ref # 1) | 12046-1038 | 1 |
| CRANKSHAFT-COMP (Ref # 2) | 13031-1080 | 1 |
| BEARING-BIG END (Ref # 3) | 13034-1013 | 1 |
| PIN-CRANK (Ref # 4) | 13035-1009 | 1 |
| CRANKSHAFT,LH (Ref # 5) | 13037-1150 | 1 |
| CRANKSHAFT,RH (Ref # 6) | 13037-1151 | 1 |
| CRANKSHAFT,LH (Ref # 7) | 13037-5005 | 1 |
| BALANCER (Ref # 8) | 13041-1003 | 1 |
| SET-CONNECTING ROD (Ref # 9) | 13044-5026 | 1 |
| GEAR-PRIMARY SPUR,21T (Ref # 10) | 13097-1067 | 1 |
| GEAR-TRANSMISSION SPU (Ref # 11) | 13129-1364 | 1 |
| GEAR-TRANSMISSION SPU (Ref # 12) | 13129-1365 | 1 |
| GEAR-TRANSMISSION SPU (Ref # 13) | 13129-1366 | 1 |
| WASHER,20X36X1 (Ref # 14) | 92022-1366 | 3 |
| WASHER,16X34X1 (Ref # 15) | 92022-1367 | 1 |
| WASHER,25.3X44X1 (Ref # 16) | 92022-1390 | 1 |
| WASHER,16.3X25X1 (Ref # 17) | 92022-1391 | 1 |
| SPACER (Ref # 18) | 92026-1070 | 2 |
| BEARING,BALL,#6306 (Ref # 19) | 92045-037 | 1 |
| BEARING-NEEDLE,NK20/1 (Ref # 20) | 92046-1183 | 2 |
| BEARING-NEEDLE,K16X20 (Ref # 21) | 92046-1053 | 2 |
| DAMPER,IDLER GEAR (Ref # 22) | 92075-1595 | 4 |
| CIRCLIP, 20MM (Ref # 23) | 480J2000 | 1 |
| CIRCLIP,25M/M (Ref # 24) | 480J2500 | 1 |
| WOODRUFF KEY (Ref # 25) | 510A5100 | 1 |
| DAMPER,IDLER GEAR (Ref # 26) | 92075-1596 | 2 |