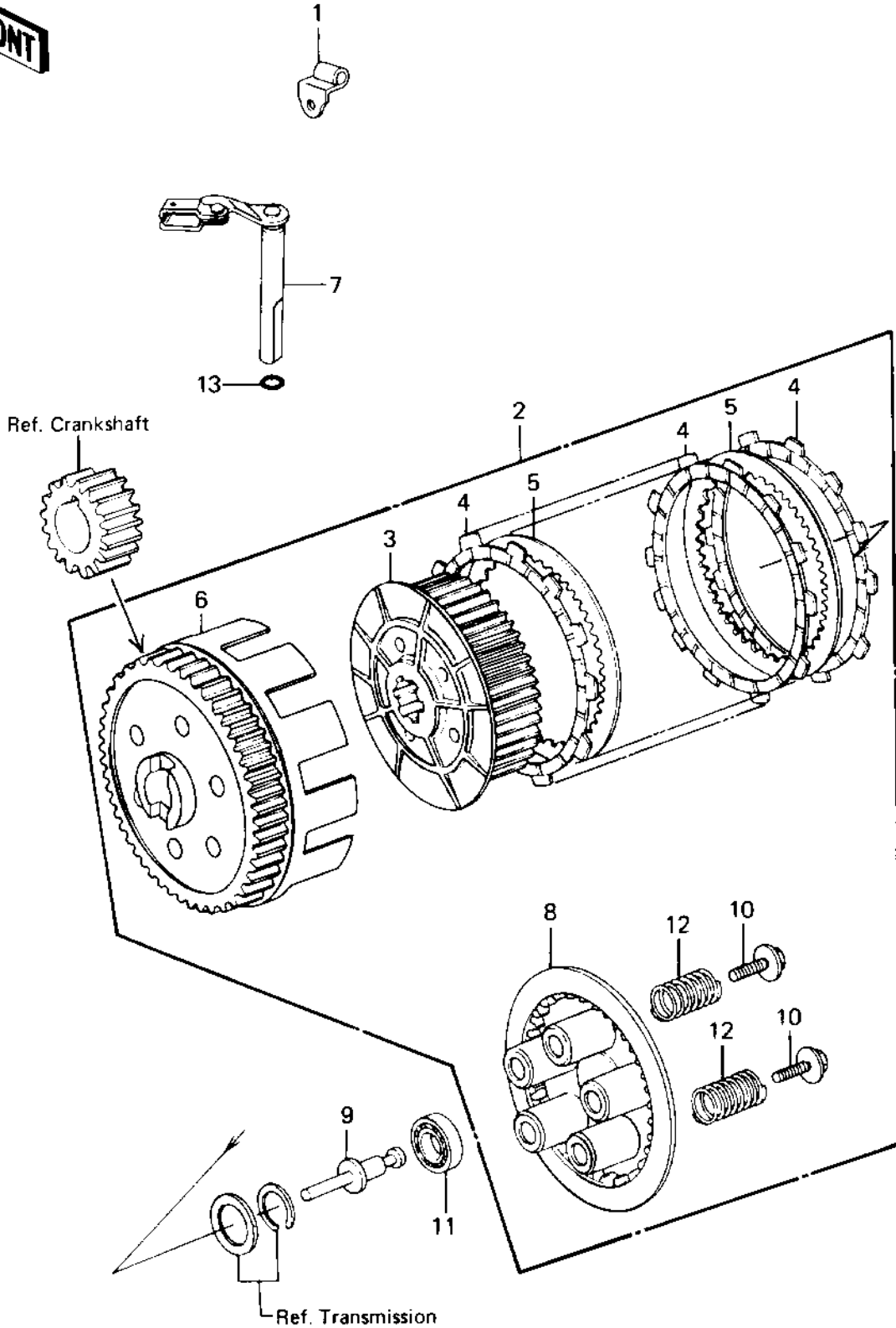


# 1983 Prairie PARTS DIAGRAM

CLUTCH ('83 C1)

E1350-0056



# 1983 Prairie PARTS LIST

## CLUTCH ('83 C1)

ITEM NAME	PART NUMBER	QUANTITY
BRACKET,CLUTCH CABLE (Ref # 1)	11045-1081	1
CLUTCH-ASSY (Ref # 2)	13081-1068	1
HUB,CLUTCH (Ref # 3)	13087-1001	1
PLATE,CLUTCH FRICTION (Ref # 4)	13088-1008	7
PLATE CLUTCH STEEL (Ref # 5)	13089-013	6
HOUSING,CLUTCH (Ref # 6)	13095-1015	1
RELEASE,CLUTCH (Ref # 7)	13102-1011	1
PLATE-CLUTCH OPERATIN (Ref # 8)	13187-1008	1
ROD,CLUTCH PUSH (Ref # 9)	46102-1033	1
BOLT,CLUTCH SPRING,6X (Ref # 10)	92001-1576	5
BEARING-BALL (Ref # 11)	92045-1235	1
SPRING-CLUTCH (Ref # 12)	92081-083	5
"O" RING,9MM (Ref # 13)	670B1509	1