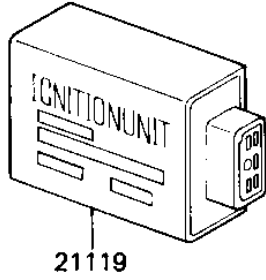


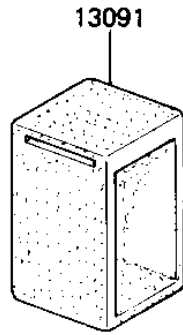
# 1985 Prairie PARTS DIAGRAM

IGNITION GENERATOR REGULATOR ('84-'85 C2)

E1810-0076



21119



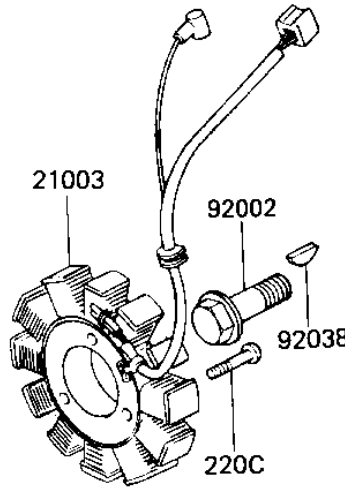
13091



92037

220A

21007

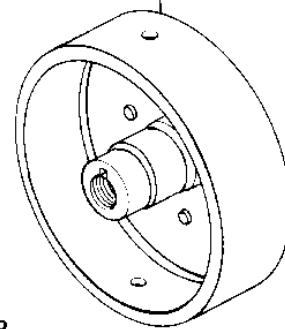


21003

92002

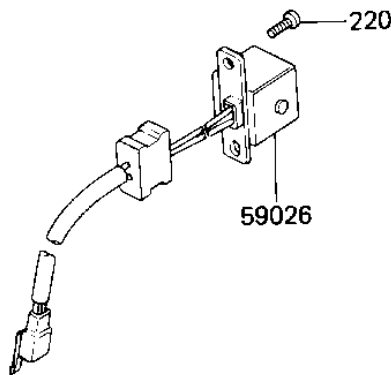
92038

220C



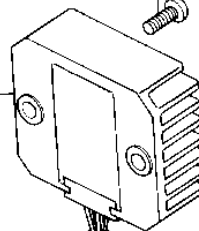
220B

220B



59026

21066



- 1
- 2
- 2
- 2
- 2
- 5
- 9
- 9
- 9

# 1985 Prairie PARTS LIST

## IGNITION GENERATOR REGULATOR ('84-'85 C2)

ITEM NAME	PART NUMBER	QUANTITY
HOLDER (Ref # 13091)	13091-1095	1
STATOR ASSY (Ref # 21003)	21003-1002	1
ROTOR (Ref # 21007)	21007-1106	1
REGULATOR-VOLTAGE (Ref # 21066)	21066-1032	1
IGNITER (Ref # 21119)	21119-1193	1
COIL-PULSING (Ref # 59026)	59026-1018	1
BOLT,10X40 (Ref # 92002)	92002-1296	1
CLAMP (Ref # 92037)	92037-194	1
WOODRUFF KEY (Ref # 92038)	92038-001	1
SCREW PAN HEAD 5X8 (Ref # 220)	220B0508	2
SCREW PAN HEAD 6X8 (Ref # 220A)	220B0608	1
SCREW PAN HEAD 6X14 (Ref # 220B)	220B0614	2
SCREW PAN HEAD 6X20 (Ref # 220C)	220B0620	3