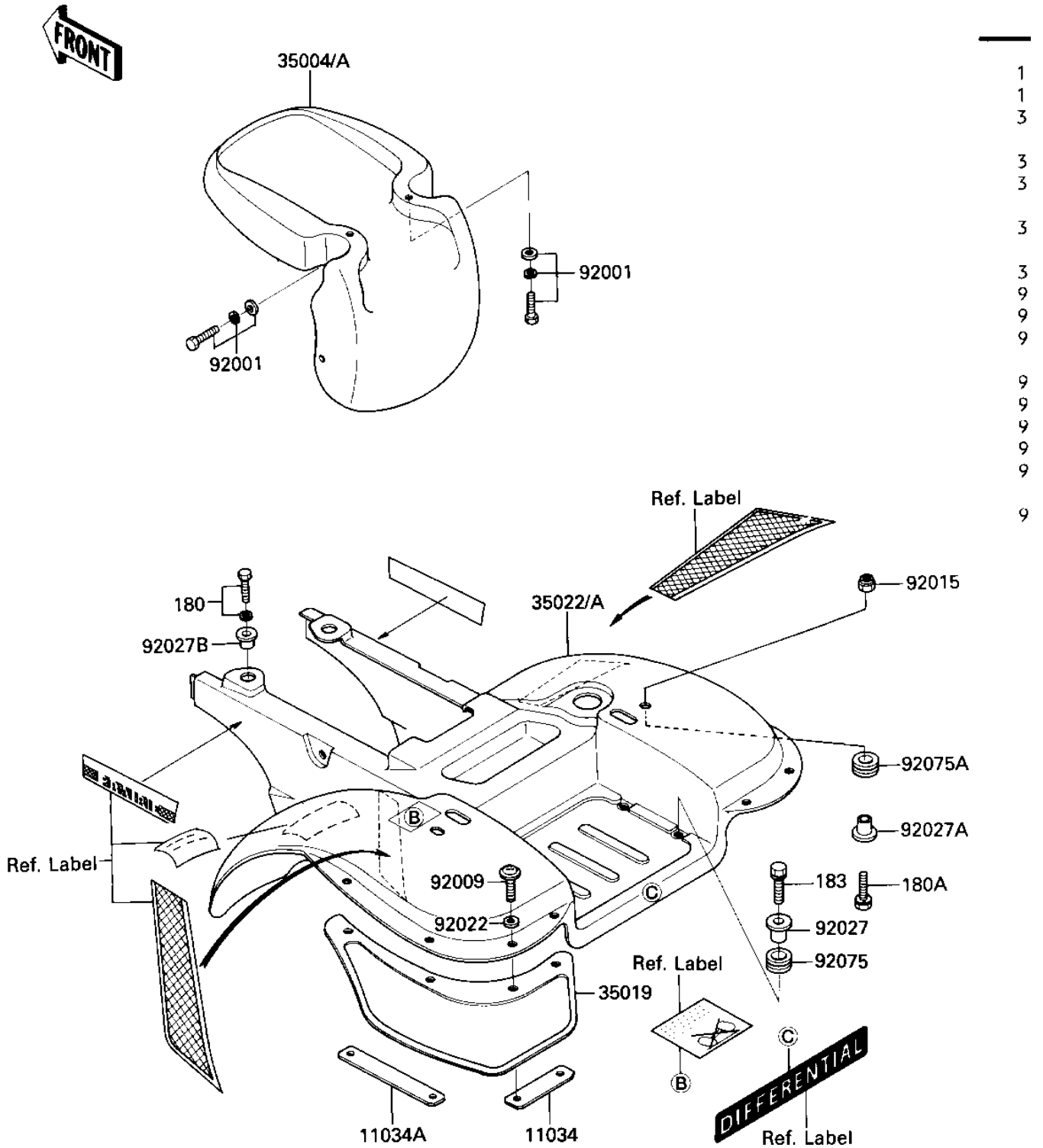


# 1985 Prairie PARTS DIAGRAM

FENDERS ('84-'85 C2/C3)

F2170-0241



# 1985 Prairie PARTS LIST

## FENDERS ('84-'85 C2/C3)

ITEM NAME	PART NUMBER	QUANTITY
BRACKET,FLAP (Ref # 11034)	11034-4062	2
BRACKET,FLAP (Ref # 11034A)	11034-4063	2
FENDER-FR,BLACK (Ref # 35004)	35004-4003-6D	1
UNAVAILABLE IN PRICE BOOK (Ref # 35004A)	35004-4003-85	1
FLAP (Ref # 35019)	35019-4004	2
FENDER-RR,BLACK (Ref # 35022)	35022-4003-6D	1
FENDER-REAR,RED (Ref # 35022A)	35022-4008-8S	1
BOLT,W/SP,6X18 (Ref # 92001)	92001-1764	4
SCREW,6X20 (Ref # 92009)	92009-1289	8
NUT (Ref # 92015)	92019-008	2
WASHER,6.5X16X2 (Ref # 92022)	92022-1565	8
COLLAR,FUEL TANK FITT (Ref # 92027)	92027-1134	4
COLLAR (Ref # 92027A)	92027-194	2
COLLAR,L=5 (Ref # 92027B)	92027-4020	2
DAMPER RUBB TANK FRNT (Ref # 92075)	92075-013	4
DAMPER RUBBER (Ref # 92075A)	92075-112	2
BOLT-UPSET-WS,6X14 (Ref # 180)	180B0614	2
BOLT-UPSET-WS,6X25 (Ref # 180A)	180B0625	2
BOLT-UPSET-WS-SMALL (Ref # 183)	183B0835	4