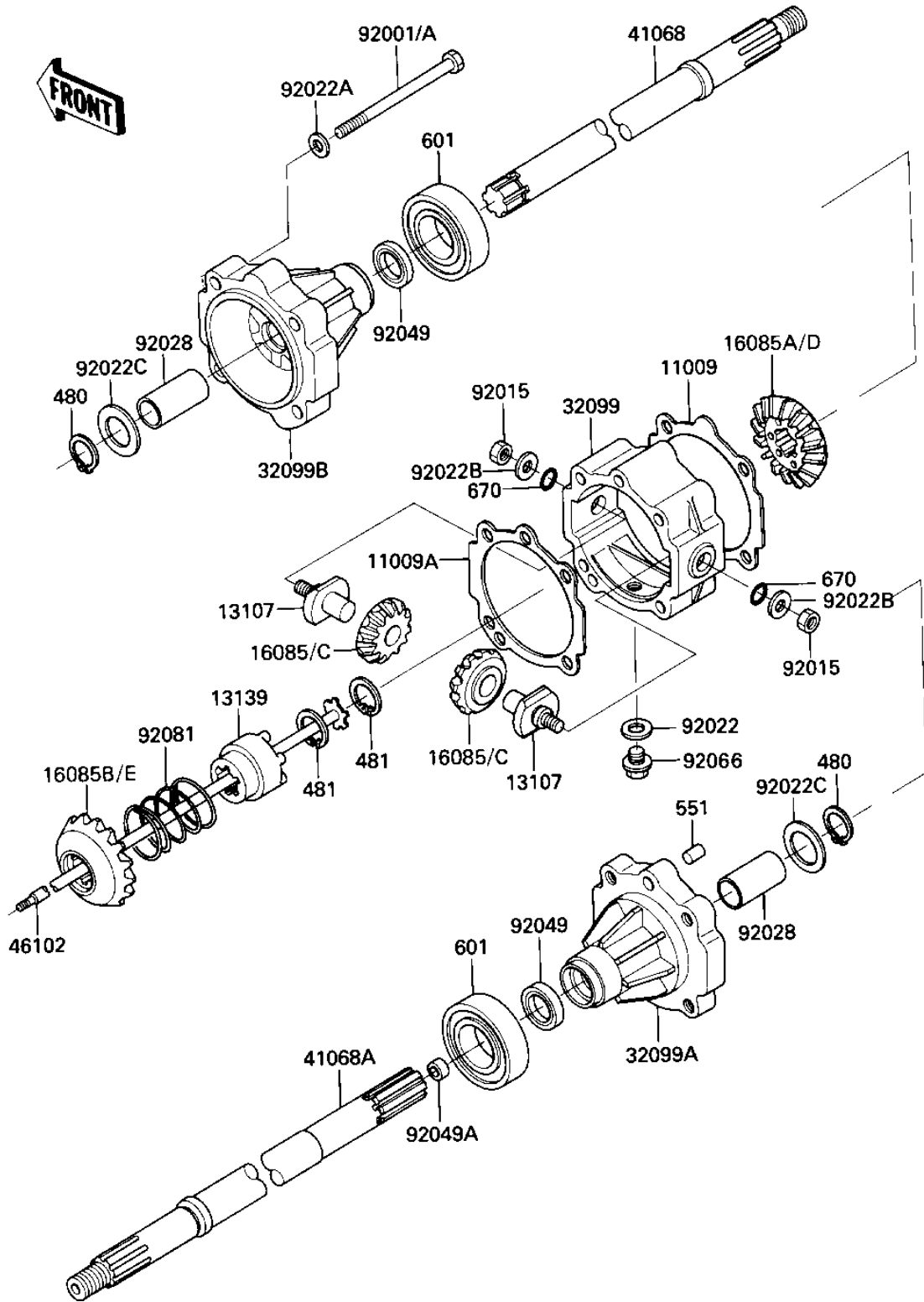


1985 Prairie PARTS DIAGRAM

REAR AXLE ('84-'85 C2/C3)

F2241-0001



| Part Number | Quantity |
|-------------|----------|
| 41068 | 1 |
| 601 | 1 |
| 92049 | 1 |
| 32099 | 1 |
| 11009 | 1 |
| 16085A/D | 1 |
| 92015 | 3 |
| 32099 | 3 |
| 670 | 4 |
| 92022B | 4 |
| 11009A | 4 |
| 13107 | 9 |
| 16085/C | 9 |
| 92015 | 9 |
| 92022 | 9 |
| 92066 | 9 |
| 480 | 9 |
| 92022C | 9 |
| 551 | 9 |
| 92049 | 9 |
| 92028 | 9 |
| 32099A | 9 |
| 41068A | 9 |
| 92049A | 9 |

1985 Prairie PARTS LIST

REAR AXLE ('84-'85 C2/C3)

| ITEM NAME | PART NUMBER | QUANTITY |
|--------------------------------------|-------------|----------|
| GASKET,DIFFERENTIAL C (Ref # 11009) | 11009-1345 | 1 |
| GASKET,DIFFERENTIAL G (Ref # 11009A) | 11009-1398 | 1 |
| SHAFT,PINION (Ref # 13107) | 13107-1113 | 2 |
| SHIFTER (Ref # 13139) | 13139-1004 | 1 |
| GEAR,BEVEL,10T (Ref # 16085) | 16085-1136 | 2 |
| GEAR,BEVEL,16T (Ref # 16085A) | 16085-1137 | 1 |
| GEAR,BEVEL,16T (Ref # 16085B) | 16085-1138 | 1 |
| CASE,DIFFERENTIAL GEA (Ref # 32099) | 32099-1058 | 1 |
| CASE,DIFFERENTIAL GEA (Ref # 32099A) | 32099-1059 | 1 |
| CASE,DIFFERENTIAL GEA (Ref # 32099B) | 32099-1060 | 1 |
| AXLE,RR,RH (Ref # 41068) | 41068-1153 | 1 |
| AXLE,RR,LH (Ref # 41068A) | 41068-1154 | 1 |
| ROD (Ref # 46102) | 46102-4006 | 1 |
| BOLT,10X103 (Ref # 92001) | 92001-1842 | 4 |
| NUT (Ref # 92015) | 92015-1774 | 2 |
| WASHER,12X18X1 (Ref # 92022) | 92022-1211 | 1 |
| WASHER,10.5X18X2.5 (Ref # 92022A) | 92022-1453 | 4 |
| WASHER,12.3X23X4.5 (Ref # 92022B) | 92022-1509 | 4 |
| WASHER,22X40X2 (Ref # 92022C) | 92022-4029 | 2 |
| BUSHING,DIFFERENTIAL (Ref # 92028) | 92028-1206 | 2 |
| SEAL-OIL (Ref # 92049) | 92049-1106 | 2 |
| OIL SEAL (Ref # 92049A) | 92050-075 | 1 |
| PLUG,OIL DRAIN,12X15 (Ref # 92066) | 92066-1174 | 1 |
| SPRING,DIFFERENTIAL,L (Ref # 92081) | 92081-1568 | 1 |
| CIRCLIP,22MM (Ref # 480) | 480J2200 | 2 |
| CIRCLIP,18MM (Ref # 481) | 481J1800 | 2 |
| PIN-DOWEL,10X20 (Ref # 551) | 551A1020 | 2 |
| BEARING (Ref # 601) | 601A6008UU | 2 |
| "O" RING,12MM (Ref # 670) | 670B2012 | 2 |