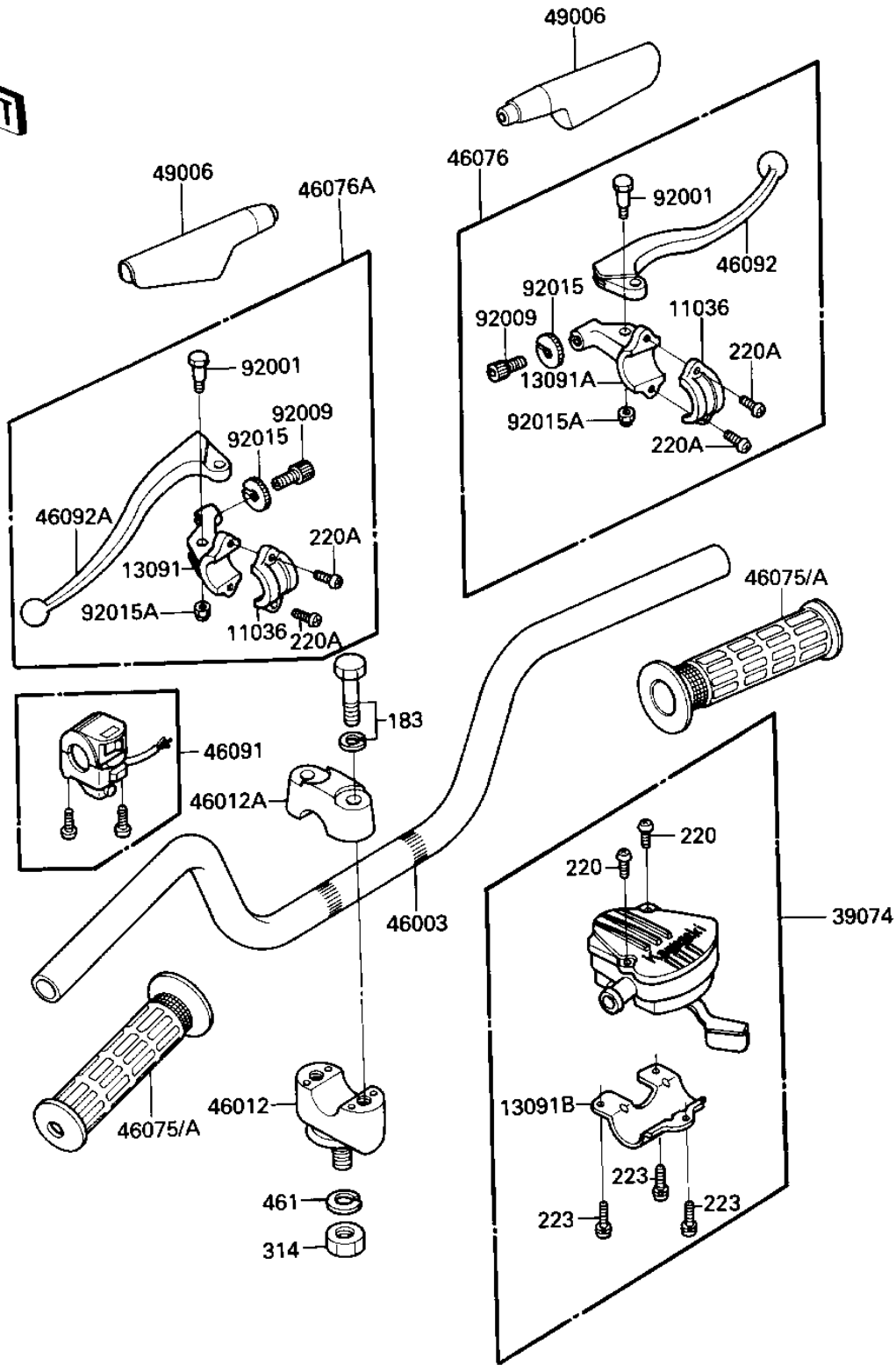


1984 Prairie PARTS DIAGRAM

HANDLEBAR ('84-'85 C2/C3)

F2310-0303



- 1
- 1
- 1
- 1
- 3
- 4
- 4
- 4
- 4
- 4
- 4
- 4
- 4
- 4
- 4
- 4
- 4
- 9
- 9
- 9
- 9

1984 Prairie PARTS LIST

HANDLEBAR ('84-'85 C2/C3)

ITEM NAME	PART NUMBER	QUANTITY
BRACKET-A (Ref # 11036)	11036-1297	2
HOLDER,CLUTCH LEVER (Ref # 13091)	13091-1131	1
HOLDER,BRAKE LEVER (Ref # 13091A)	13091-1135	1
HOLDER,THROTTLE (Ref # 13091B)	13091-1294	1
LEVER-ASSY-THROTTLE (Ref # 39074)	39074-1051	1
HANDLEBAR (Ref # 46003)	46003-4004	1
HOLDER,HANDLEBAR,BUFF (Ref # 46012)	46012-002-80	2
HOLDER UPPER HANDLEBAR (Ref # 46012A)	46012-004	2
GRIP,RH (Ref # 46075A)	46075-4003	2
LEVER-ASSY-GRIP (Ref # 46076)	46076-1120	1
LEVER-ASSY-GRIP,LH (Ref # 46076A)	46076-1122	1
HOUSING-ASSY-CONTROL, (Ref # 46091)	46091-1393	1
LEVER-GRIP,BRAKE (Ref # 46092)	46092-1109	1
LEVER-GRIP,CLUTCH (Ref # 46092A)	46092-1110	1
BOOTS,LEVER HOLDER (Ref # 49006)	49006-1017	2
BOLT,LEVER SET (Ref # 92001)	92001-1757	2
SCREW,CABLE ADJUST (Ref # 92009)	46055-009	2
NUT,CABLE ADJUST LOCK (Ref # 92015)	46056-006	2
NUT (Ref # 92015A)	92019-008	2
BOLT-UPSET-WS-SMALL (Ref # 183)	183B0835	4
SCREW-PAN-CROS,5X12,B (Ref # 220)	220C0512	2
SCREW-PAN-CROS,5X12,B (Ref # 220A)	220C0512	2
SCREW-PAN-WS-CROS (Ref # 223)	223C0512	3
NUT,10MM (Ref # 314)	314B1000	2
WASHER SPRING 10MM (Ref # 461)	461F1000	2