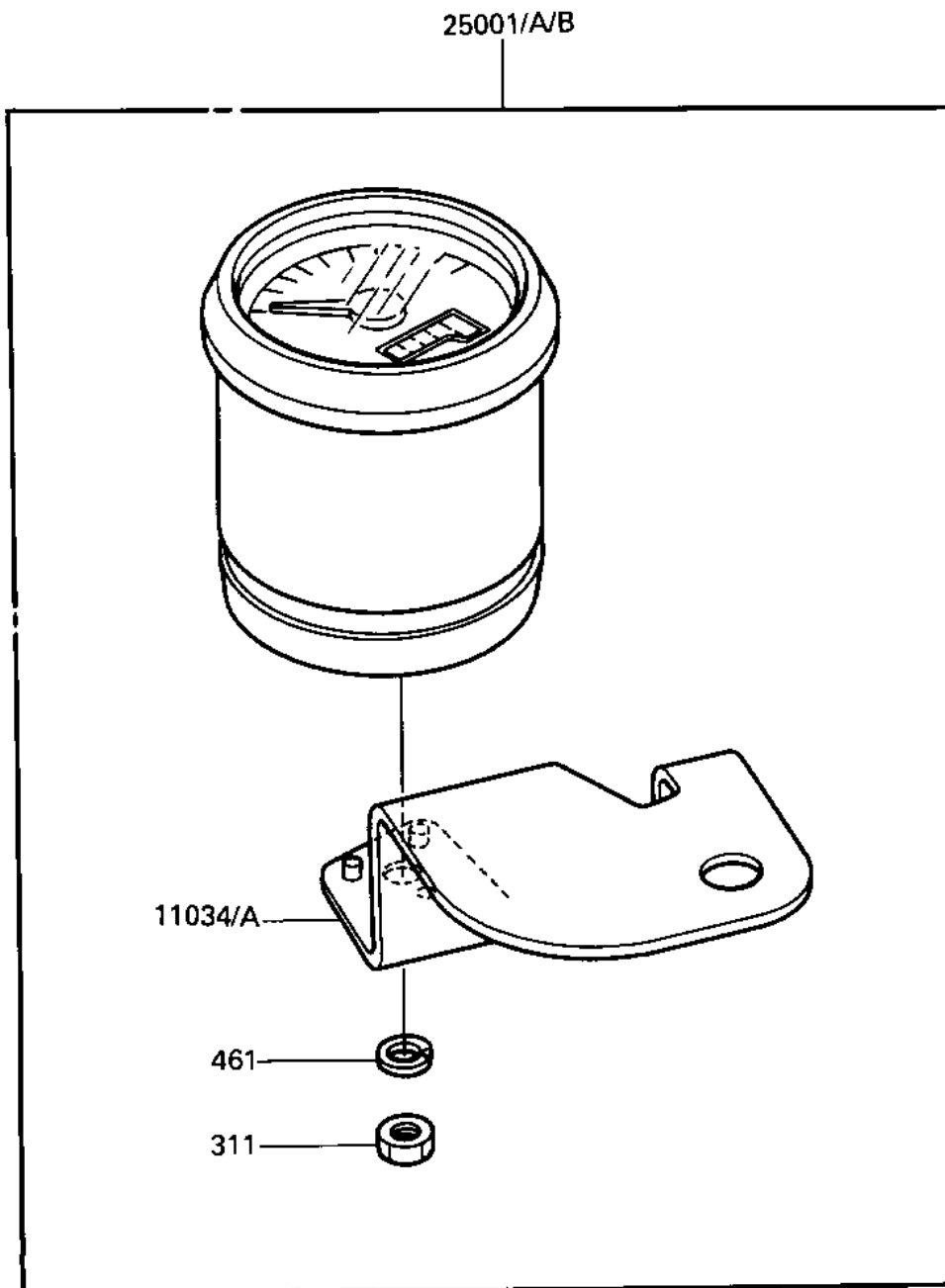


1985 Prairie PARTS DIAGRAM

METER ('84-'85 G2/G3)

F2530-0234



1'
1'
2'
2'
2'

1985 Prairie PARTS LIST

METER ('84-'85 G2/G3)

ITEM NAME	PART NUMBER	QUANTITY
BRACKET,METER (Ref # 11034A)	11034-4253	1
METER-ASSY (Ref # 25001B)	25001-4008	1
NUT 6MM (Ref # 311)	311B0600	1
WASHER SPRING 6MM (Ref # 461)	461F0600	1