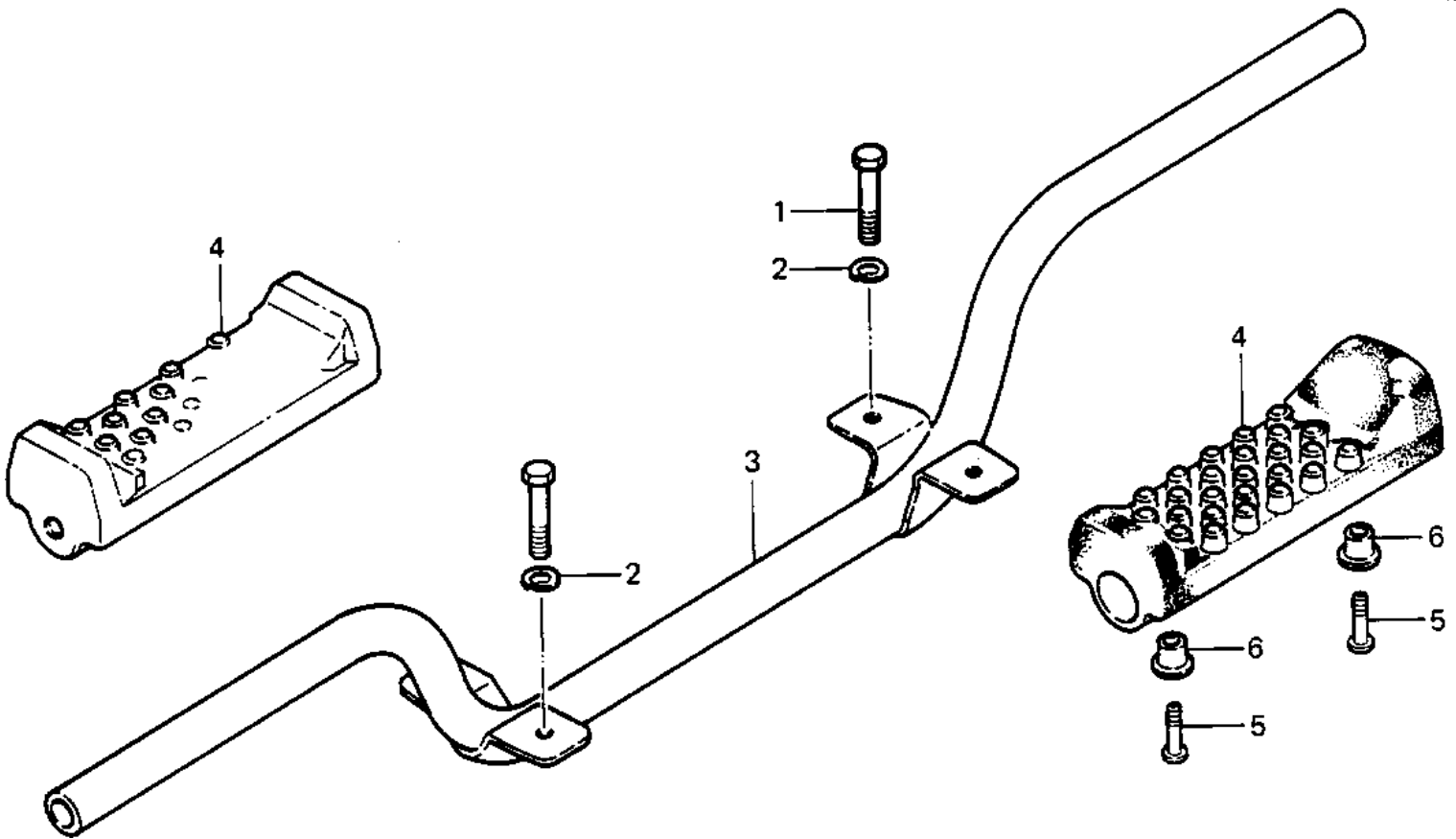


1984 Police PARTS DIAGRAM

FOOTRESTS



1051

1984 Police PARTS LIST

FOOTRESTS

ITEM NAME	PART NUMBER	QUANTITY
BOLT-SMALL-UPSET,8X18 (Ref # 1)	115G0818	4
WASHER SPRING 8MM (Ref # 2)	461F0800	4
HOLDER-STEP (Ref # 3)	34003-4006	1
STEP (Ref # 4)	34028-4005	2
SCREW (Ref # 5)	92009-4004	4
COLLAR,L=5 (Ref # 6)	92027-4020	4