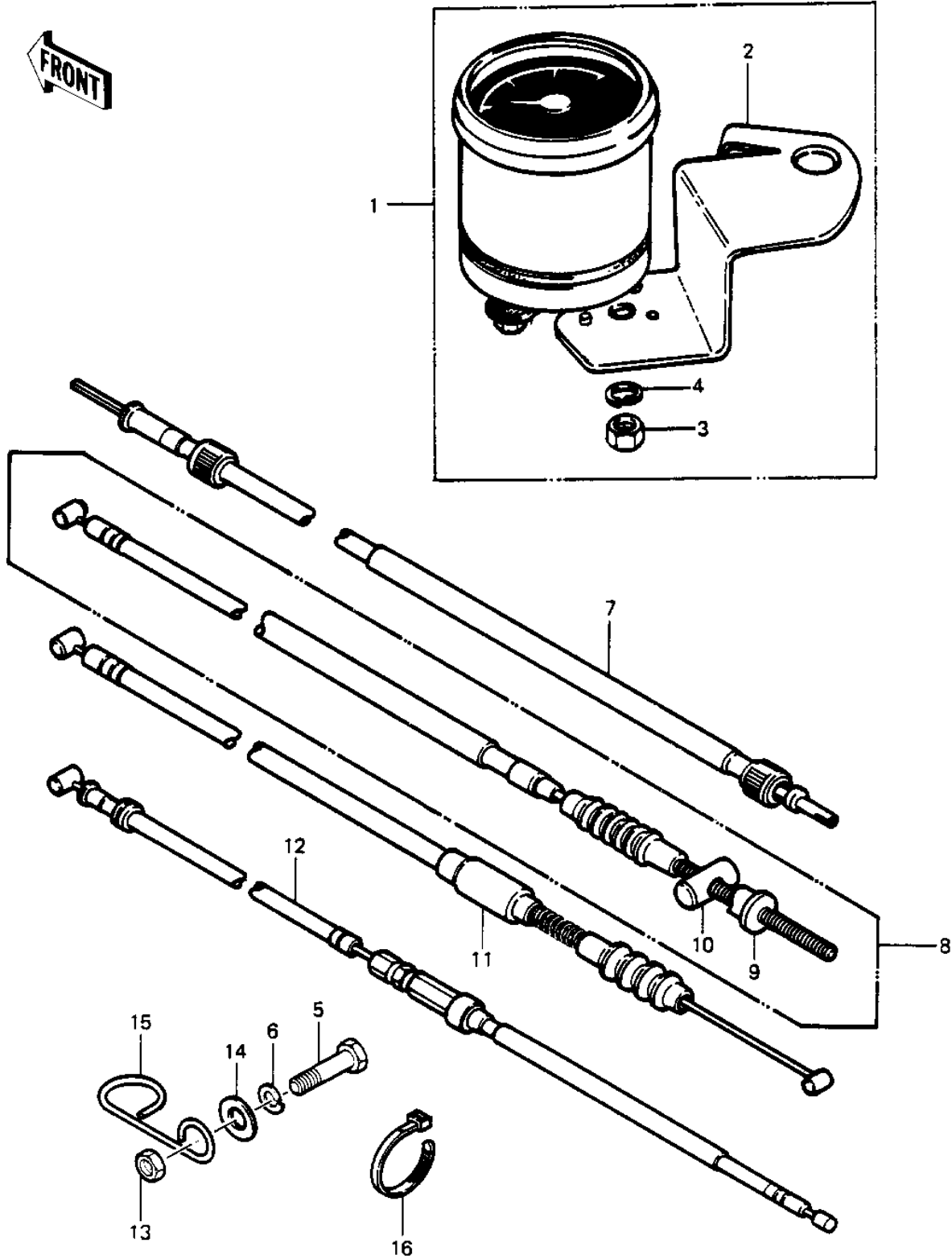


# 1984 Police PARTS DIAGRAM

CABLES/METER



1061

# 1984 Police PARTS LIST

## CABLES/METER

ITEM NAME	PART NUMBER	QUANTITY
METER-ASSY (Ref # 1)	25001-4008	1
BRACKET,METER (Ref # 2)	11034-4253	1
NUT 6MM (Ref # 3)	311B0600	1
WASHER SPRING 6MM (Ref # 4)	461F0600	1
BOLT-UPSET (Ref # 5)	112G0618	1
WASHER SPRING 6MM (Ref # 6)	461F0600	1
CABLE,SPEEDOMETER (Ref # 7)	54001-4002	1
CABLE-BRAKE (Ref # 8)	54005-4004	1
NUT-BRAKE ROD ADJUST (Ref # 9)	92015-052	1
JOINT-BRAKE ROD (Ref # 10)	92043-082	1
CABLE-CLUTCH (Ref # 11)	54011-4004	1
CABLE-THROTTLE (Ref # 12)	54012-4002	1
NUT (Ref # 13)	92019-008	1
WASHER 6.5X20X1.6T (Ref # 14)	92022-125	1
CLAMP,CLUTCH CABLE (Ref # 15)	92037-1202	1
BAND (Ref # 16)	92072-3505	2