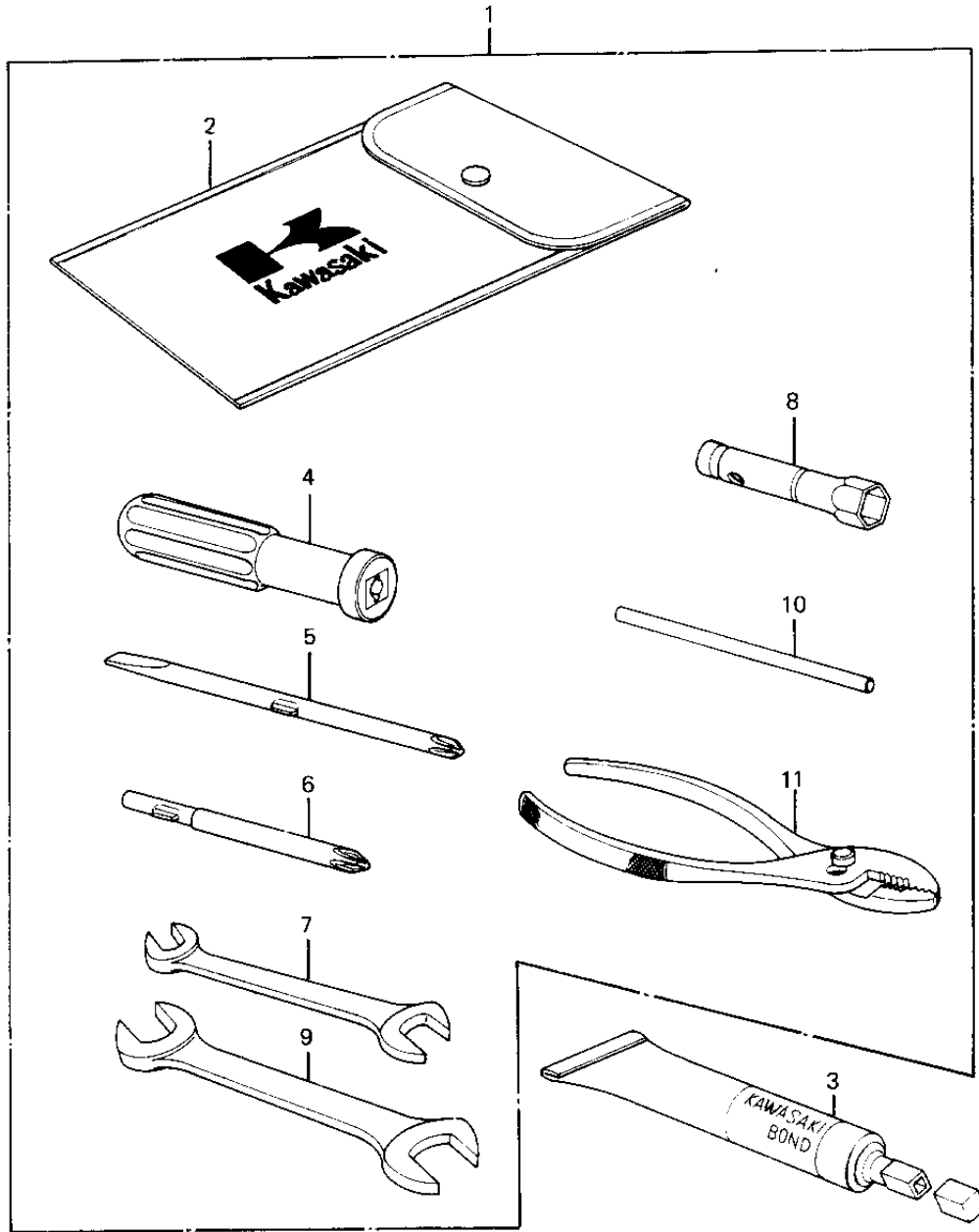


# 1984 Police PARTS DIAGRAM

## OWNER TOOLS

F2810-0108



1051

# 1984 Police PARTS LIST

## OWNER TOOLS

ITEM NAME	PART NUMBER	QUANTITY
TOOLKIT (Ref # 1)	56007-1164	1
BAG,TOOL (Ref # 2)	56008-1007	1
LIQUID GASKET (Ref # 3)	92104-002	AR
GRIP,SCREW DRIVER (Ref # 4)	92106-1001	1
TOOL-DRIVER (Ref # 5)	92107-1052	1
SCREW DRIVER #3 PHLIP (Ref # 6)	92107-005	1
TOOL-WRENCH,OPEN END (Ref # 7)	92110-1038	1
WRENCH,SPARK PLUG (Ref # 8)	92108-008	1
TOOL-WRENCH,OPEN END, (Ref # 9)	92110-1153	1
BAR,SPARK PLUG WRENCH (Ref # 10)	92111-005	1
PLIERS,160MM (Ref # 11)	92112-003	1