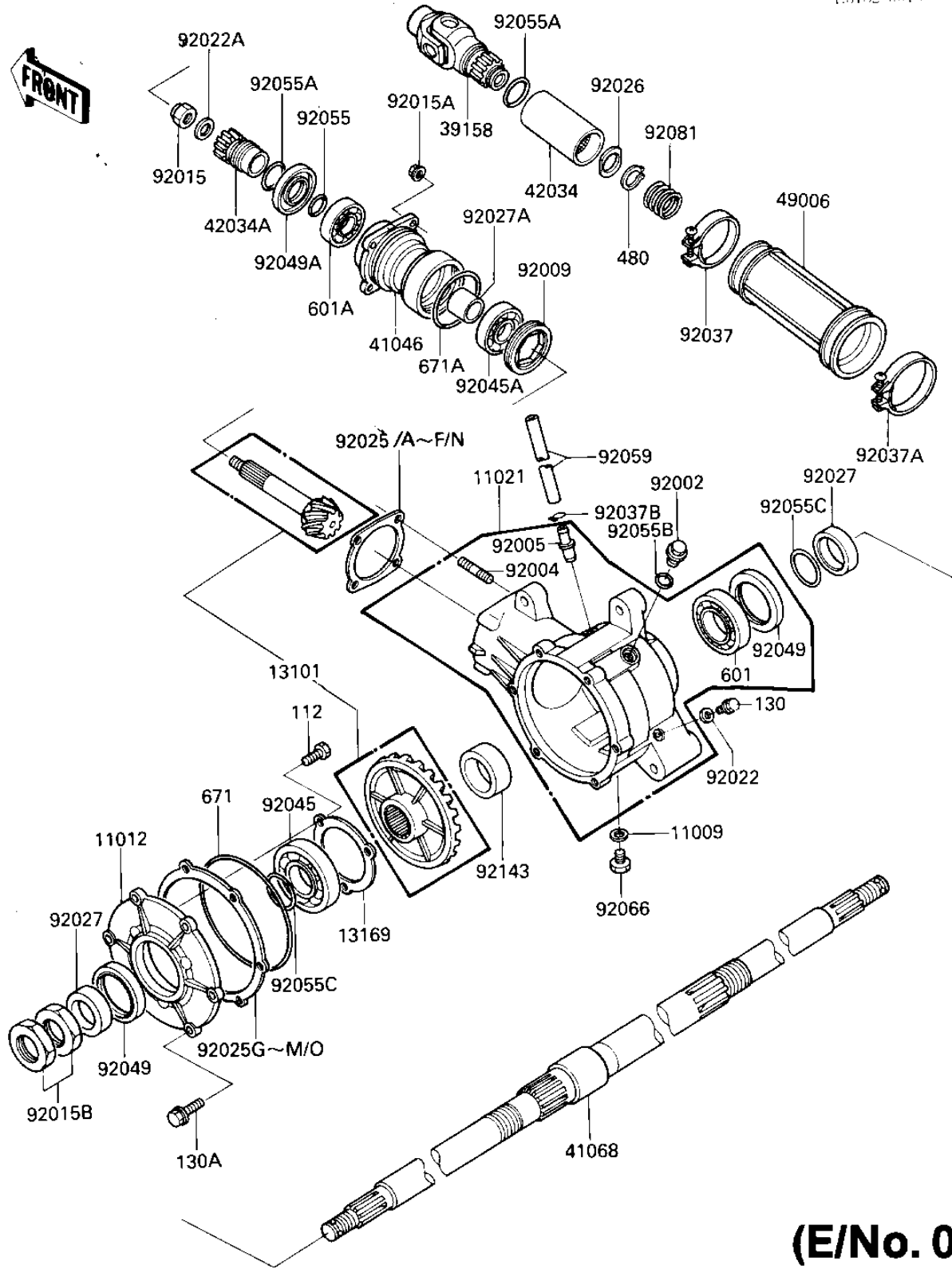


# 1985 Bayou 185 PARTS DIAGRAM

DRIVE SHAFT/FINAL GEARS/REAR AXLE (E/NO.

E3132-0010



**(E/No. 015**

# 1985 Bayou 185 PARTS LIST

DRIVE SHAFT/FINAL GEARS/REAR AXLE (E/NO.)

ITEM NAME	PART NUMBER	QUANTITY
GASKET CHECK VALVE (Ref # 11009)	92065-058	1
CAP (Ref # 11012)	11012-1375	1
CASE-ASSY,FINAL GEAR (Ref # 11021)	11021-1051	1
GEAR-ASSY (Ref # 13101)	13101-5055	1
PLATE (Ref # 13169)	13169-1751	1
SHAFT-ASSY-DRIVE (Ref # 39158)	39158-1055	1
HOUSING-BEARING (Ref # 41046)	41046-1052	1
AXLE,FINAL (Ref # 41068)	41068-1242	1
COUPLING,DRIVE SHAFT (Ref # 42034)	42034-1058	1
COUPLING (Ref # 42034A)	42034-1059	1
BOOT (Ref # 49006)	49006-1160	1
BOLT,16X10 (Ref # 92002)	92002-1238	1
STUD,6X18 (Ref # 92004)	92004-1127	4
FITTING,BREATHER (Ref # 92005)	92005-1127	1
SCREW (Ref # 92009)	92009-1290	1
NUT,12MM (Ref # 92015)	92015-1182	1
NUT,6MM (Ref # 92015A)	92015-1365	4
NUT,LOCK,32MM (Ref # 92015B)	92015-1493	2
WASHER OIL PUMP BANJO (Ref # 92022)	92022-077	1
WASHER,12X3X25X3.2 (Ref # 92022A)	92022-1293	1
SHIM,T=0.1 (Ref # 92025)	92025-1545	AR
SHIM,T=0.5 (Ref # 92025A)	92025-1546	AR
SHIM,T=0.7 (Ref # 92025B)	92025-1547	AR
SHIM,T=0.8 (Ref # 92025C)	92025-1548	AR
SHIM,T=0.9 (Ref # 92025D)	92025-1549	AR
SHIM,T=1.0 (Ref # 92025E)	92025-1550	AR
SHIM,T=1.2 (Ref # 92025F)	92025-1551	AR
SHIM,T=0.1 (Ref # 92025G)	92025-1552	AR
SHIM,T=0.5 (Ref # 92025H)	92025-1553	AR

# 1985 Bayou 185 PARTS LIST

DRIVE SHAFT/FINAL GEARS/REAR AXLE (E/NO.)

ITEM NAME	PART NUMBER	QUANTITY
SHIM,T=0.7 (Ref # 92025I)	92025-1554	AR
SHIM,T=0.8 (Ref # 92025J)	92025-1555	AR
SHIM,T=0.9 (Ref # 92025K)	92025-1556	AR
SHIM,T=1.0 (Ref # 92025L)	92025-1557	AR
SHIM,T=1.2 (Ref # 92025M)	92025-1558	AR
SHIM,T=0.15 (Ref # 92025N)	92025-1577	AR
SHIM,T=0.15 (Ref # 92025O)	92025-1578	AR
SPACER,DRIVE SHAFT (Ref # 92026)	92026-1106	1
COLLAR,L=13.5 (Ref # 92027)	92027-1718	2
COLLAR (Ref # 92027A)	92027-1724	1
CLAMP (Ref # 92037)	92037-1523	1
CLAMP (Ref # 92037A)	92037-1554	1
CLAMP (Ref # 92037B)	92037-1610	1
BEARING-BALL (Ref # 92045)	92045-1110	1
BEARING-BALL,TMB304CC (Ref # 92045A)	92045-1142	1
SEAL-OIL (Ref # 92049)	92049-1167	2
SEAL-OIL (Ref # 92049A)	92049-1170	1
"O" RING (Ref # 92055)	92055-022	1
RING-O,27MM (Ref # 92055A)	92055-1119	2
RING-O,ID=13.8 (Ref # 92055B)	92055-1141	1
RING-O,33X1.6 (Ref # 92055C)	92055-4002	2
TUBE,6X9X750 (Ref # 92059)	92059-1372	1
PLUG OIL DRAIN (Ref # 92066)	92067-001	1
SPRING (Ref # 92081)	92081-1650	1
COLLAR (Ref # 92143)	92143-1003	1
BOLT-UPSET,6X12 (Ref # 112)	112G0612	3
BOLT-FLANGED (Ref # 130)	130H0608	1
BOLT-FLANGED (Ref # 130A)	130H0620	6
CIRCLIP, 20MM (Ref # 480)	480J2000	1

# 1985 Bayou 185 PARTS LIST

DRIVE SHAFT/FINAL GEARS/REAR AXLE (E/NO.

ITEM NAME	PART NUMBER	QUANTITY
BEARING-BALL (Ref # 601)	601B6007	1
BEARING BALL #6204 (Ref # 601A)	601B6204	1
O RING (Ref # 671)	671B25125	1
"O" RING,60MM (Ref # 671A)	671B2560	1