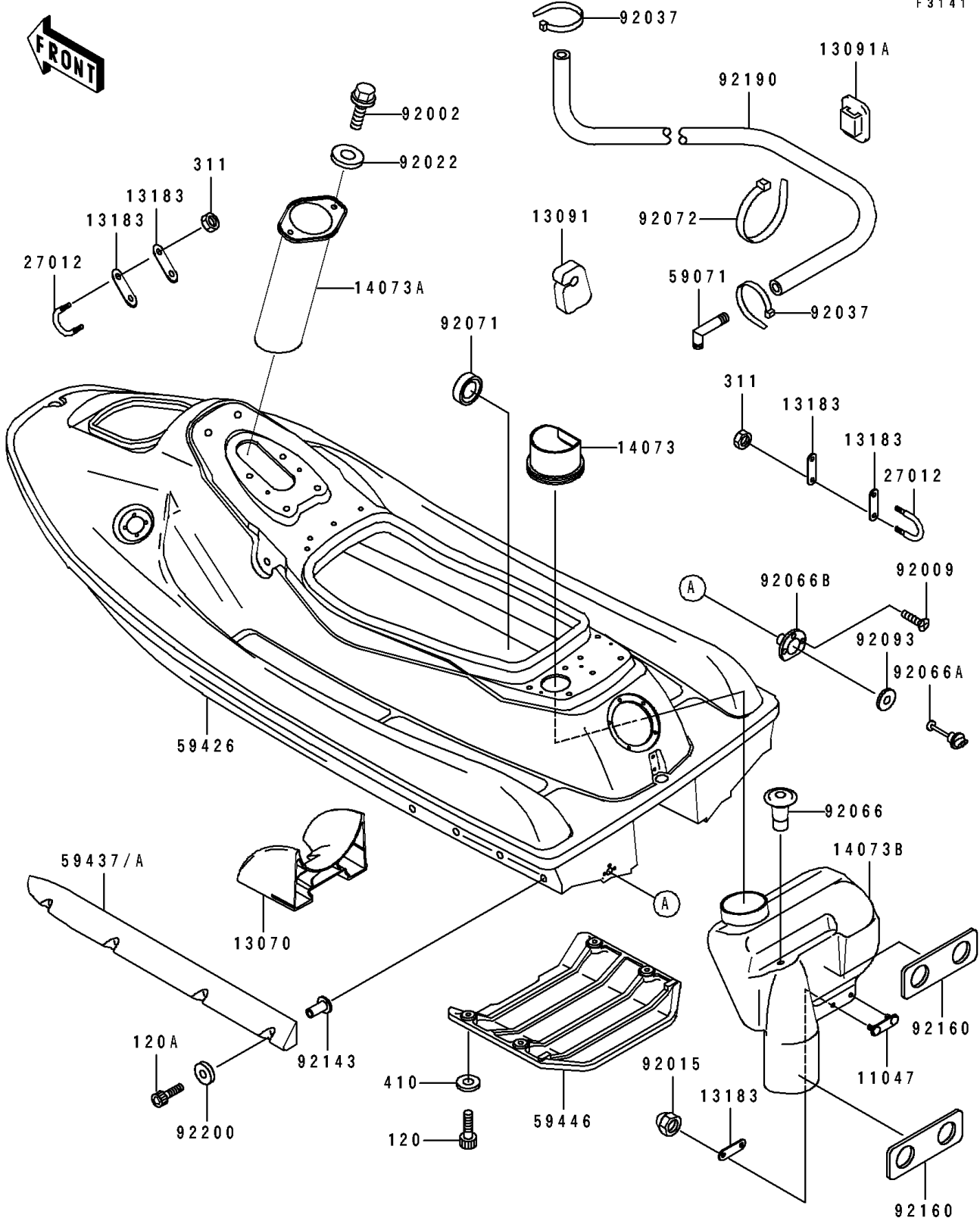


1994 XiR PARTS DIAGRAM

Hull

F3141



1994 XiR PARTS LIST

Hull

| ITEM NAME | PART NUMBER | QUANTITY |
|---------------------------------------|---------------|----------|
| BRACKET,RR DUCT (Ref # 11047) | 11047-3774 | 1 |
| GUIDE,INTAKE (Ref # 13070) | 13070-3708 | 1 |
| HOLDER (Ref # 13091) | 13091-3712 | 5 |
| HOLDER,BAND (Ref # 13091A) | 13091-3764 | 3 |
| PLATE (Ref # 13183) | 13183-3809 | 5 |
| DUCT,INTAKE (Ref # 14073) | 14073-3739 | 1 |
| DUCT,FR (Ref # 14073A) | 14073-3746 | 1 |
| DUCT,RR,MAIN (Ref # 14073B) | 14073-3747 | 1 |
| HOOK (Ref # 27012) | 27012-3761 | 2 |
| JOINT (Ref # 59071) | 59071-3733 | 1 |
| HULL-COMP,J.WHITE (Ref # 59426) | 59426-3823-8C | 1 |
| STABILIZER,RH,C.C.BLUE (Ref # 59437) | 59437-3704-3E | 1 |
| STABILIZER,LH,C.C.BLUE (Ref # 59437A) | 59437-3705-3E | 1 |
| COVER-JET PUMP (Ref # 59446) | 59446-3727 | 1 |
| BOLT,6X16 (Ref # 92002) | 92002-3728 | 2 |
| SCREW,TAPPING,4X14 (Ref # 92009) | 92009-3755 | 3 |
| NUT,CAP,6MM (Ref # 92015) | 92015-3755 | 2 |
| WASHER,6.5X20X1.5 (Ref # 92022) | 92022-3710 | 2 |
| CLAMP (Ref # 92037) | 92037-1173 | 2 |
| PLUG (Ref # 92066) | 92066-3706 | 1 |
| PLUG,RR,DRAIN (Ref # 92066A) | 92066-3744 | 1 |
| PLUG,RR,DRAIN (Ref # 92066B) | 92066-3747 | 1 |
| GROMMET (Ref # 92071) | 92071-3783 | 1 |
| BAND (Ref # 92072) | 92072-3778 | 3 |
| SEAL (Ref # 92093) | 92093-3720 | 1 |
| COLLAR (Ref # 92143) | 92143-3739 | 8 |
| DAMPER (Ref # 92160) | 92160-3722 | 2 |
| TUBE,5X10X1600 (Ref # 92190) | 92190-3926 | 1 |
| WASHER,6.5X16X1.0 (Ref # 92200) | 92200-3712 | 8 |

1994 XiR PARTS LIST

Hull

| ITEM NAME | PART NUMBER | QUANTITY |
|------------------------------------|-------------|----------|
| BOLT-SOCKET,6X20 (Ref # 120) | 120R0620 | 4 |
| BOLT-SOCKET,6X40 (Ref # 120A) | 120R0640 | 8 |
| NUT-HEX,6MM (Ref # 311) | 311R0600 | 4 |
| WASHER-PLAIN-SMALL,6MM (Ref # 410) | 410S0600 | 4 |