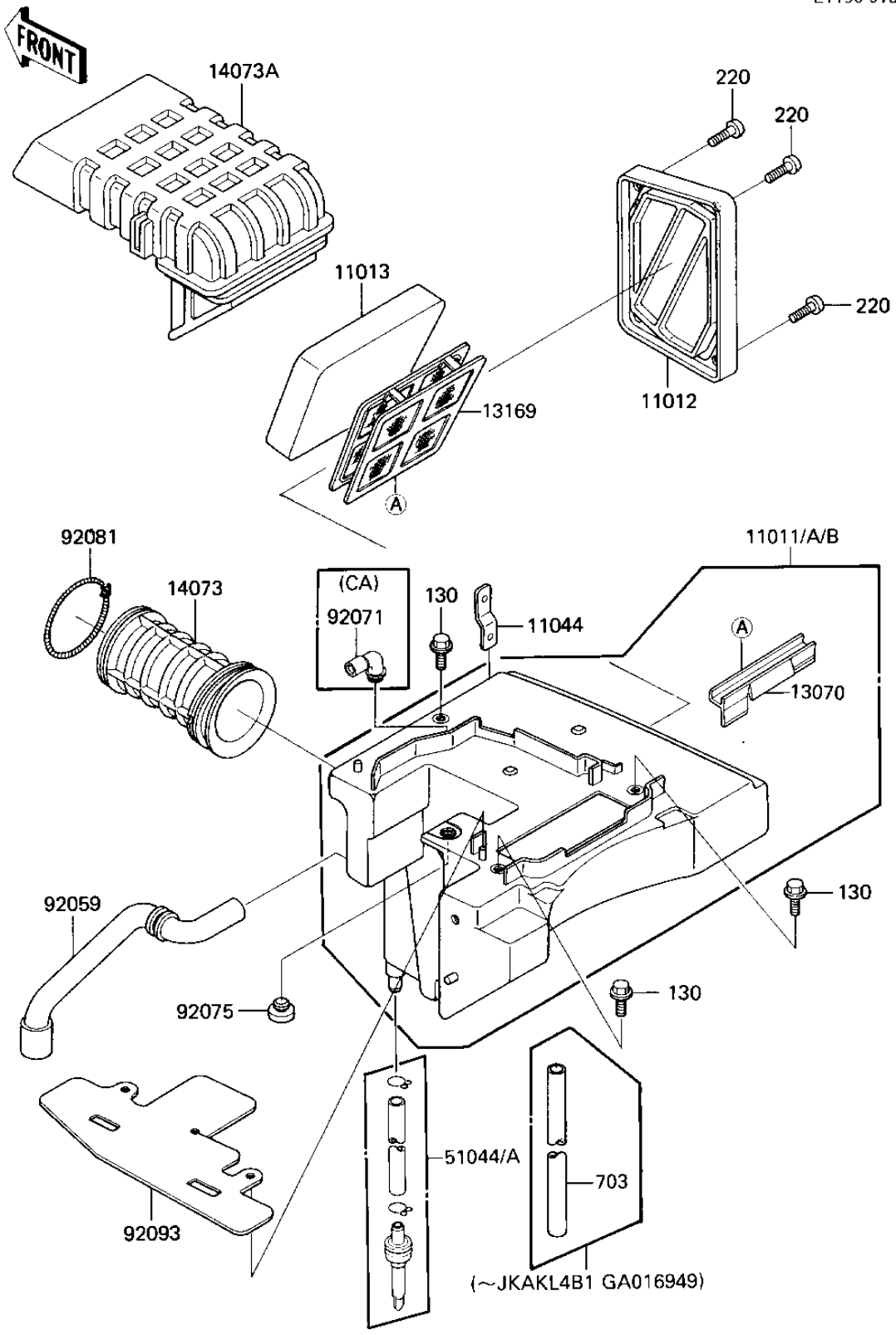


# 1985 KL600 PARTS DIAGRAM

## AIR CLEANER

E1130-0182



# 1985 KL600 PARTS LIST

## AIR CLEANER

ITEM NAME	PART NUMBER	QUANTITY
FILTER-ASSY-AIR (Ref # 11011)	11010-5071	1
CASE-AIR FILTER (Ref # 11011A)	11011-1261	1
CASE-AIR FILTER (Ref # 11011B)	11011-1262	1
CAP,ELEMENT (Ref # 11012)	11012-1428	1
ELEMENT-AIR FILTER (Ref # 11013)	11013-1125	1
BRACKET,AIR FILTER (Ref # 11044)	11044-1278	1
GUIDE (Ref # 13070)	13070-1191	1
PLATE,ELEMENT (Ref # 13169)	13169-1883	1
DUCT,CARBURATOR (Ref # 14073)	14073-1202	1
DUCT,INTAKE (Ref # 14073A)	14073-1221	1
TUBE-ASSY (Ref # 51044)	51044-1087	1
TUBE-ASSY (Ref # 51044)	51044-1087	1
TUBE,BREATHER (Ref # 92059)	92059-1584	1
GROMMET,AIR FILTER (Ref # 92071)	92071-1114	1
DAMPER RUBB MAIN STND (Ref # 92075)	92075-005	1
SPRING,DUCT (Ref # 92081)	92081-1638	1
SEAL,AIR FILTER (Ref # 92093)	92093-1195	1
BOLT,FLANGED,6X12 (Ref # 130)	130G0612	3
SCREW-PAN-CROS, 6X14 (Ref # 220)	220C0614	3
TUBE-RUBBER (Ref # 703)	703A07300	1