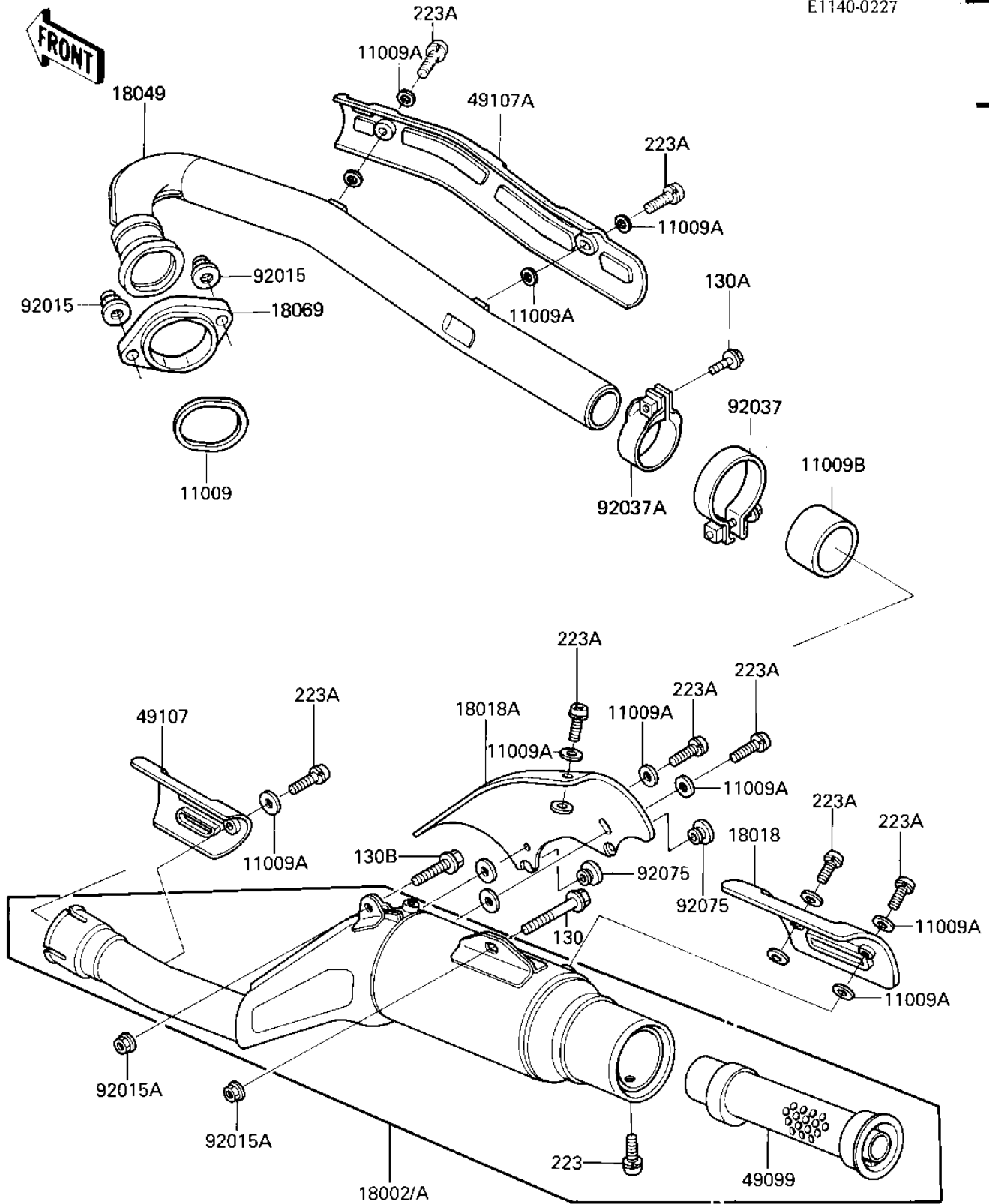


1986 KL600 PARTS DIAGRAM

MUFFLER

E1140-0227



1986 KL600 PARTS LIST

MUFFLER

ITEM NAME	PART NUMBER	QUANTITY
GASKET,EXH PIPEHOLDER (Ref # 11009)	11060-1108	1
GASKET,6.2X11.5X1.5 (Ref # 11009A)	11060-1109	15
GASKET,EXHAUST PIPE C (Ref # 11009B)	11009-1666	1
18002-1874 (Canada) (Ref # 18002)	18002-1596	1
BODY-COMP-MUFFLER (Ref # 18002A)	18002-1597	1
PLATE-HEAT GUARD (Ref # 18018)	18018-1053	1
PLATE-HEAT GUARD (Ref # 18018A)	18018-1060	1
PIPE-EXHAUST (Ref # 18049)	18049-1316	1
HOLDER-EXHAUST PIPE (Ref # 18069)	18069-1063	1
BAFFLE-PIPE MUFFLER (Ref # 49099)	49099-1218	1
COVER-EXHAUST PIPE,RR (Ref # 49107)	49107-1068	1
COVER-EXHAUST PIPE,FR (Ref # 49107A)	49107-1073	1
NUT,CAP,8MM,BLACK (Ref # 92015)	92015-1174	2
NUT,8MM (Ref # 92015A)	92015-1402	2
CLAMP (Ref # 92037)	92037-1910	1
CLAMP,43MM (Ref # 92037A)	92037-1571	1
DAMPER RUBB MAIN STND (Ref # 92075)	92075-005	2
BOLT,FLANGED,8X55 (Ref # 130)	130G0855	1
BOLT-FLANGED,8X25,BLA (Ref # 130A)	130J0825	1
BOLT-FLANGED,8X25,BLA (Ref # 130B)	130J0825	1
SCREW-PAN-WS-CROS (Ref # 223)	223B0610	1
SCREW-PAN-WS-CROS (Ref # 223A)	223C0610	8