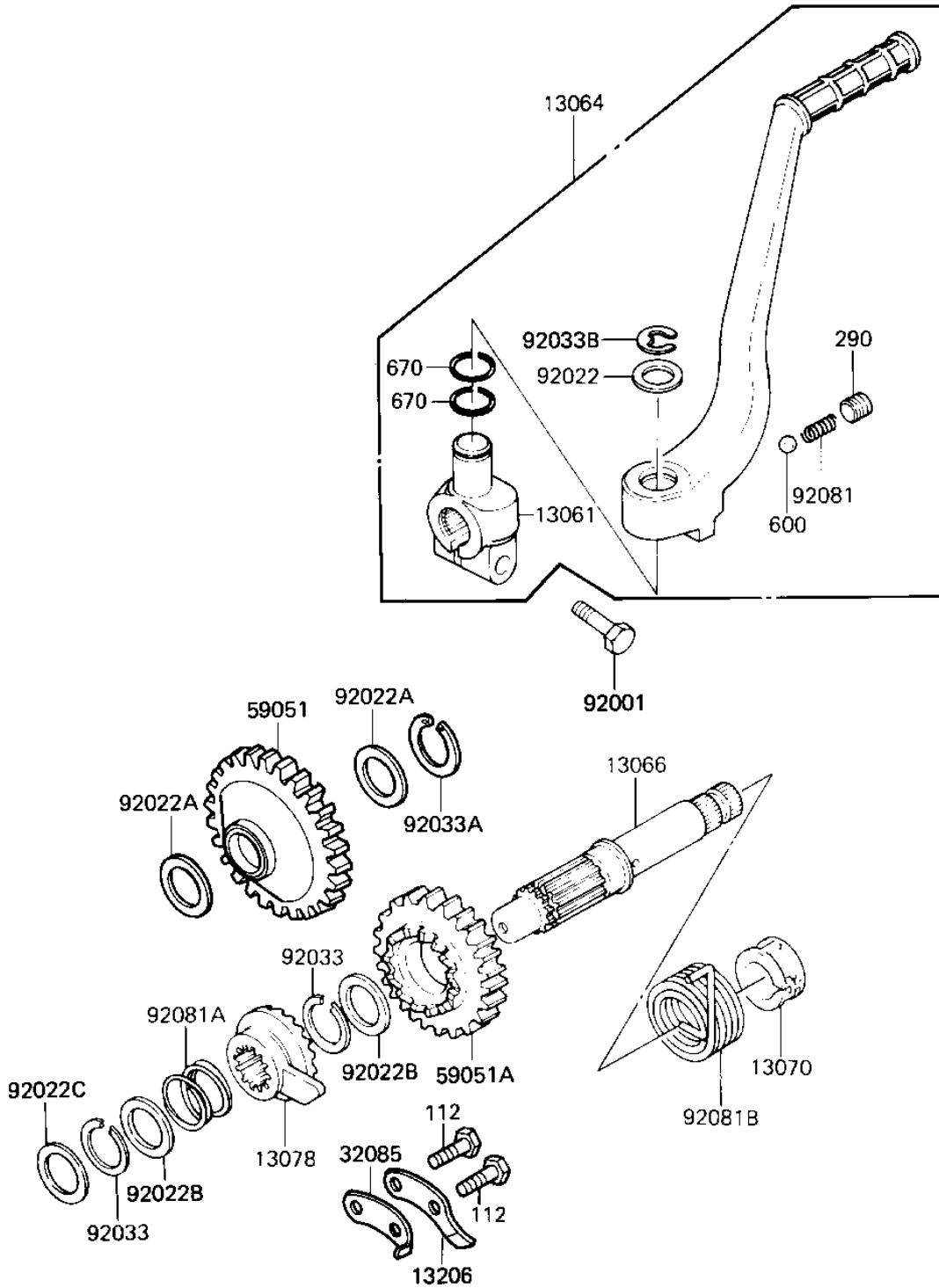


1985 KL600 PARTS DIAGRAM

KICKSTARTER MECHANISM

E1340-0032



1985 KL600 PARTS LIST

KICKSTARTER MECHANISM

ITEM NAME	PART NUMBER	QUANTITY
BOSS,KICK PEDAL (Ref # 13061)	13061-1106	1
LEVER-ASSY-KICK,PEDAL (Ref # 13064)	13064-1102	1
SHAFT-KICK (Ref # 13066)	13066-1058	1
GUIDE,KICK SPRING (Ref # 13070)	13070-1106	1
RATCHET (Ref # 13078)	13078-1051	1
GUIDE-KICK (Ref # 13206)	13206-1051	1
STOPPER,KICKSTARTER (Ref # 32085)	13072-014	1
GEAR-SPUR,IDLE (Ref # 59051)	59051-1102	1
GEAR-SPUR,KICK (Ref # 59051A)	59051-1142	1
BOLT,HEX HEAD,8X28 (Ref # 92001)	92001-1042	1
WASHER,PLAIN (Ref # 92022)	92022-1019	1
WASHER,20.3X29X0.5 (Ref # 92022A)	92022-1479	2
WASHER-PLAIN 25MM (Ref # 92022B)	92022-159	2
WASHER (Ref # 92022C)	92022-252	1
CIRCLIP (Ref # 92033)	92033-026	2
CIRCLIP,18MM (Ref # 92033A)	92033-029	1
RING-SNAP,10MM (Ref # 92033B)	92033-1166	1
SPRING KICK PEDAL (Ref # 92081)	92081-020	1
SPRING (Ref # 92081A)	92081-097	1
SPRING-KICKSTARTER (Ref # 92081B)	92082-003	1
BOLT-UPSET (Ref # 112)	112G0618	2
SCREW,8X8 (Ref # 290)	290Q0808	1
BALL STEEL 1/4' (Ref # 600)	600A0800	1
"O" RING,15MM (Ref # 670)	670B2015	2