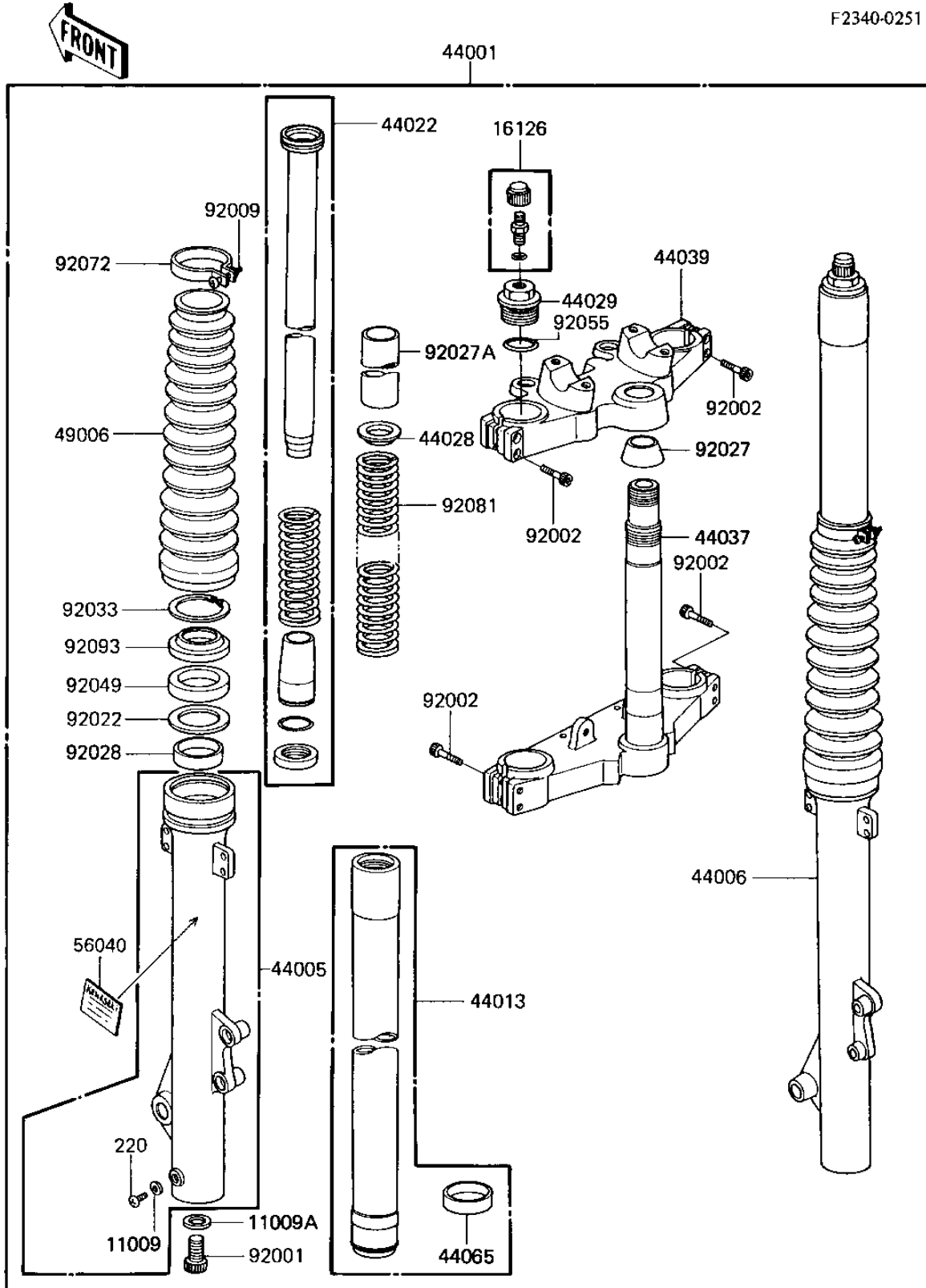


1985 KL600 PARTS DIAGRAM

FRONT FORK

F2340-0251



1985 KL600 PARTS LIST

FRONT FORK

ITEM NAME	PART NUMBER	QUANTITY
GASKET FORK DRAIN PLG (Ref # 11009)	44045-002	2
GASKET,FORK CYLINDER (Ref # 11009A)	44045-057	2
VALVE AIR (Ref # 16126)	16126-1052	2
FORK-FRONT,BLACK (Ref # 44001)	44001-1572-BD	1
PIPE-LEFT FORK OUTER (Ref # 44005)	44005-1229	1
PIPE-RIGHT FORK OUTER (Ref # 44006)	44006-1229	1
PIPE-FORK INNER (Ref # 44013)	44013-1227	2
CYLINDER-FORK (Ref # 44022)	44022-1177	2
GUIDE,FORK SPRING (Ref # 44028)	44028-1004	2
SEAT-FORK SPRING (Ref # 44029)	44029-1042	2
HOLDER-FORK-UNDER (Ref # 44037)	44037-1171	1
HOLDER-FORK UPPER (Ref # 44039)	44039-1101	1
BUSHING,FORK PIPE (Ref # 44065)	92028-1126	2
BOOT,FORK,BLACK (Ref # 49006)	49006-1166-BD	2
LABEL,FRONT FORK (Ref # 56040)	56040-1120	1
BOLT-FORK CYLINDER (Ref # 92001)	44041-040	2
BOLT,SOCKET,8X32 (Ref # 92002)	92002-1277	8
SCREW (Ref # 92009)	92009-1348	2
WASHER,FORK OUT PIPE (Ref # 92022)	92022-1262	2
COLLAR,UPPER BRACKET (Ref # 92027)	92027-1791	1
COLLAR,L=165 (Ref # 92027A)	92027-1872	2
BUSHING-FRONT FORK,OU (Ref # 92028)	44065-1091	2
SNAP RING,FORK OUTER (Ref # 92033)	92033-1047	2
SEAL-OIL,FRONT FORK (Ref # 92049)	92049-1180	2
"O" RING,FORK TOP CAP (Ref # 92055)	92055-1050	2
BAND,BOOT (Ref # 92072)	92072-1171	2
SPRING (Ref # 92081)	92081-1871	2
SEAL,FRONT FORK (Ref # 92093)	92093-1166	2
SCREW PAN HEAD 4X8 (Ref # 220)	220B0408	2