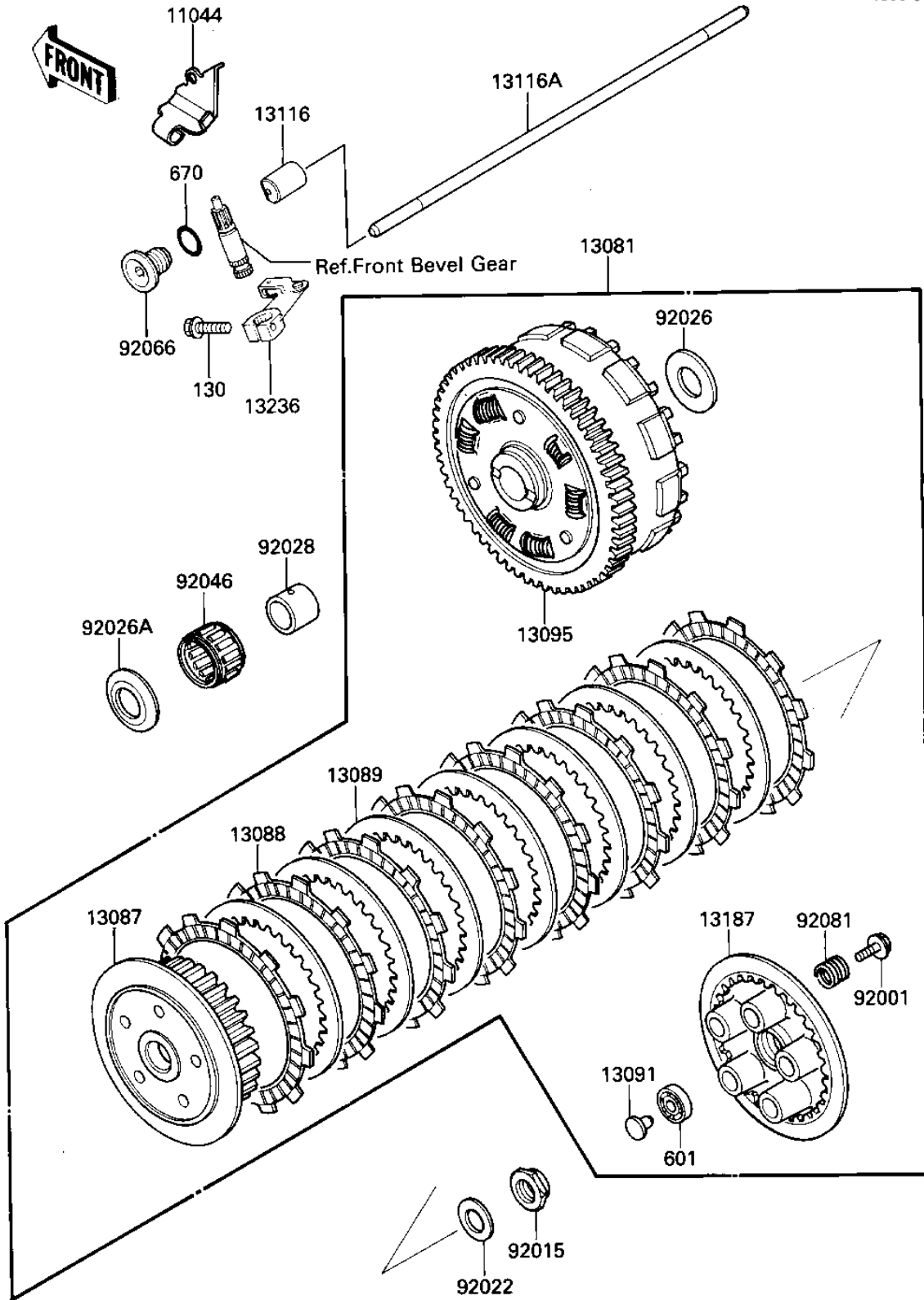


# 1985 LTD PARTS DIAGRAM

CLUTCH

E1350-0115



# 1985 LTD PARTS LIST

## CLUTCH

ITEM NAME	PART NUMBER	QUANTITY
BRACKET,CLUTCH CABLE (Ref # 11044)	11044-1287	1
CLUTCH-ASSY (Ref # 13081)	13081-1210	1
HUB,CLUTCH (Ref # 13087)	13087-042	1
PLATE-FRICTION (Ref # 13088)	13088-1087	8
PLATE,CLUTCH STEL (Ref # 13089)	13089-027	7
HOLDER (Ref # 13091)	13091-1085	1
HOUSING-COMP-CLUTCH (Ref # 13095)	13095-1119	1
ROD,CLUTCH PUSH (Ref # 13116)	13116-1040	1
ROD-PUSH,L=316.5 (Ref # 13116A)	13116-1114	1
PLATE-CLUTCH OPERATIN (Ref # 13187)	13187-1006	1
LEVER-COMP,CLUTCH REL (Ref # 13236)	13236-1125	1
BOLT,CLUTCH SPR FITT (Ref # 92001)	92001-1066	5
NUT,20MM (Ref # 92015)	92015-1555	1
WASHER,PLAIN,2.3X20.3 (Ref # 92022)	92022-1116	1
WASHER TH 25.5X47X2.5 (Ref # 92026)	92026-022	1
SPACER,THRUST,T=5.5MM (Ref # 92026A)	92026-116	1
BUSHING,CLUTCH (Ref # 92028)	92028-178	1
BEARING,KTV323723 (Ref # 92046)	92046-028	1
PLUG,CYLINDER HEAD (Ref # 92066)	92066-1158	1
SPRING,CLUTCH (Ref # 92081)	92081-1033	5
BOLT-FLANGED,6X20,BLA (Ref # 130)	130S0620	1
BEARING-BALL (Ref # 601)	92045-1235	1
"O" RING,15MM (Ref # 670)	670B2015	1