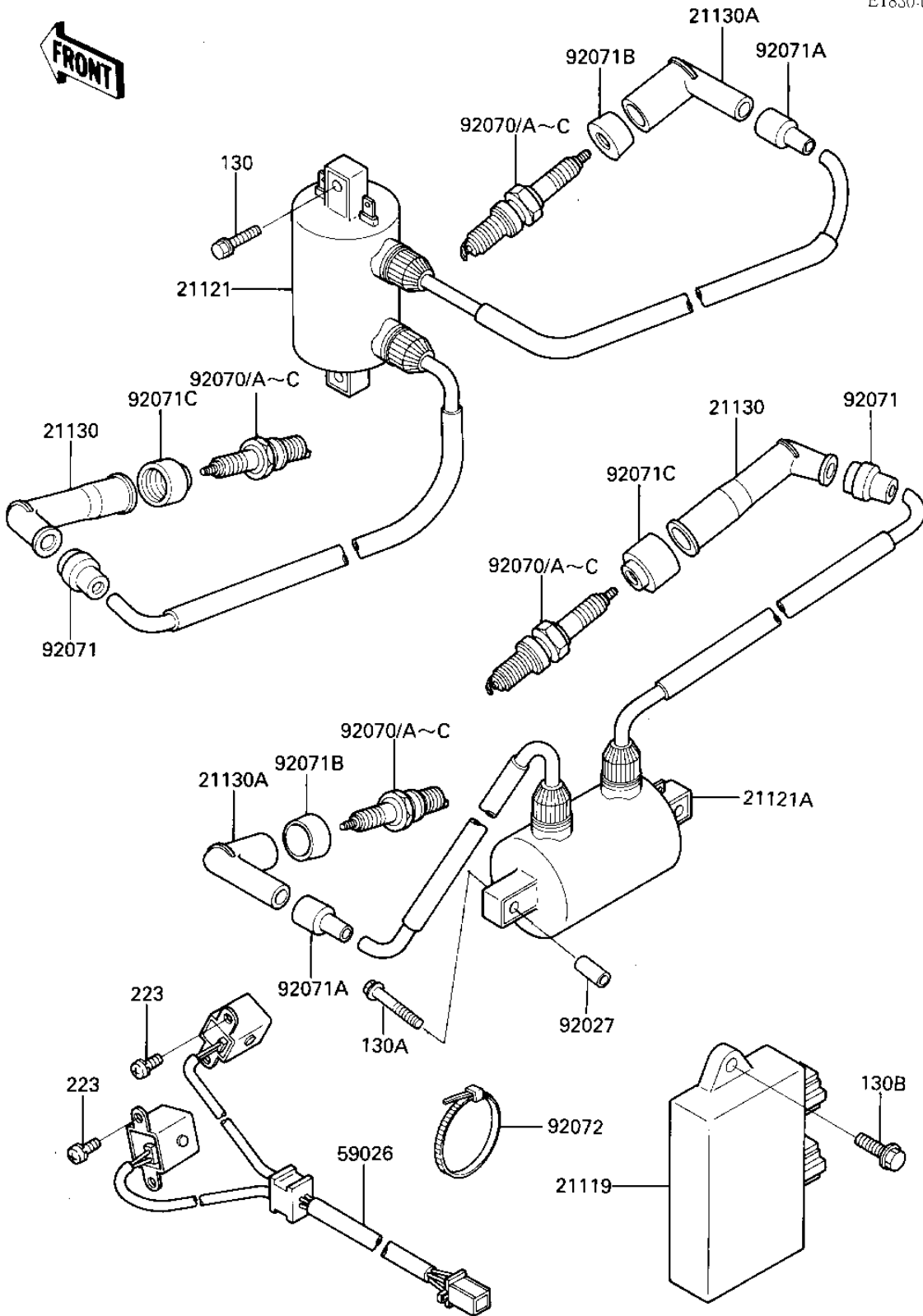


1985 LTD PARTS DIAGRAM

IGNITION

E1830-0227



1985 LTD PARTS LIST

IGNITION

ITEM NAME	PART NUMBER	QUANTITY
IGNITER (Ref # 21119)	21119-1187	1
COIL-IGNITION,FR (Ref # 21121)	21121-1124	1
COIL-IGNITION,RR (Ref # 21121A)	21121-1125	1
CAP-SPARK PLUG (Ref # 21130)	21130-1010	2
CAP,SPARK PLUG"LD05F" (Ref # 21130A)	21130-1003	2
COIL-PULSING (Ref # 59026)	59026-1062	1
COLLAR,6.8X10X22 (Ref # 92027)	92027-1856	2
SPARK PLUG DP8EA-9 (Ref # 92070)	DP8EA9	4
SPARK PLUG DP7EA-9 (Ref # 92070C)	DP7EA9	4
GROMMET,HIGH TENSION (Ref # 92071)	21131-005	2
GROMMET,SPARK PLG CAP (Ref # 92071A)	21132-005	2
GROMMET,SPARK PLUG (Ref # 92071B)	92071-1015	2
GROMMET,PLUG CAP (Ref # 92071C)	92071-1124	2
BAND (Ref # 92072)	92072-1181	1
BOLT-FLANGED (Ref # 130)	130D0620	2
BOLT-FLANGED (Ref # 130A)	130D0640	2
BOLT,FLANGED,6X14 (Ref # 130B)	130G0614	2
SCREW-PAN-WS-CROS (Ref # 223)	223B0512	4