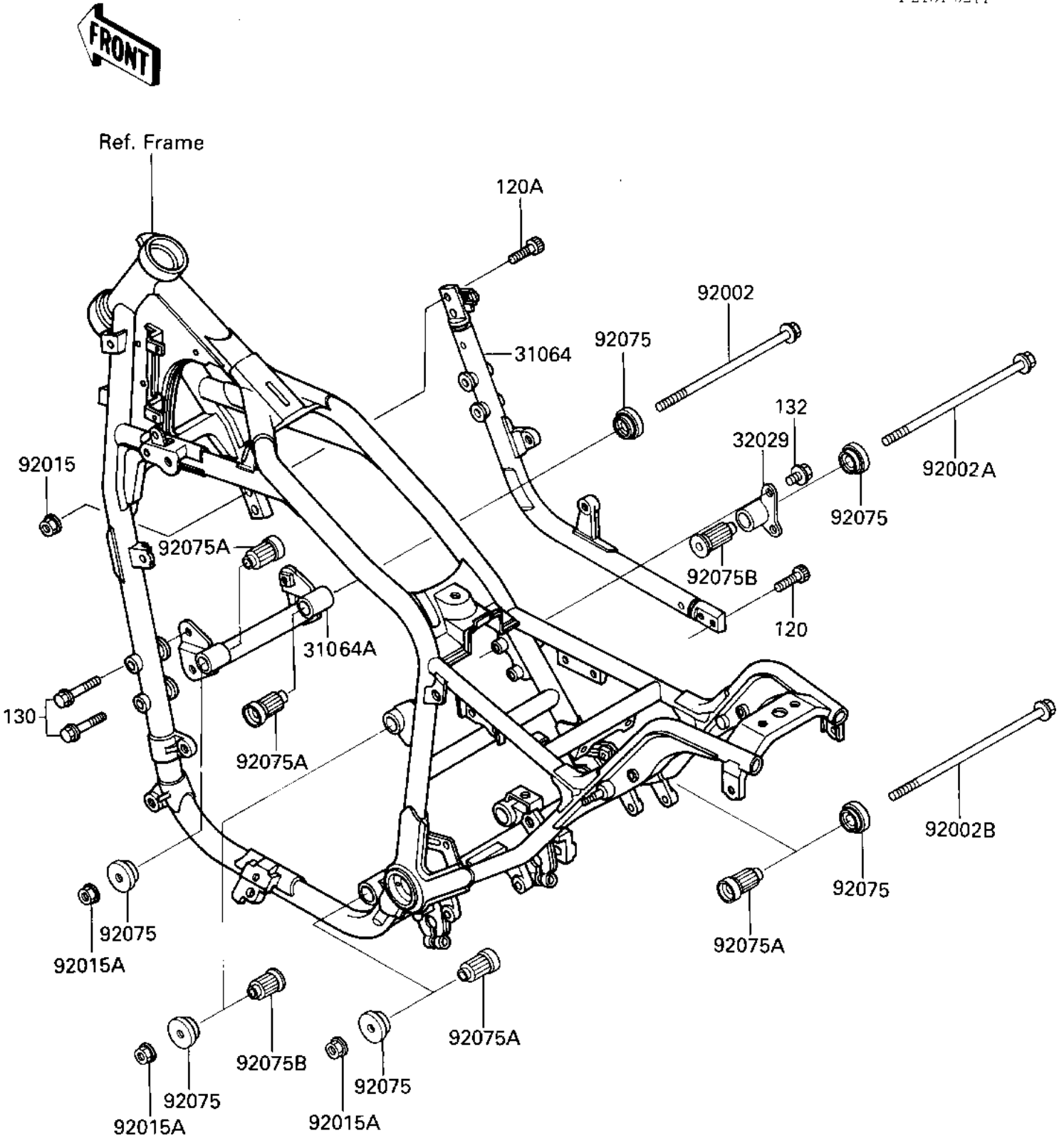


1985 LTD PARTS DIAGRAM

FRAME FITTINGS

F2131-0211



1985 LTD PARTS LIST

FRAME FITTINGS

ITEM NAME	PART NUMBER	QUANTITY
PIPE-COMP,SUB FRAME (Ref # 31064)	31064-1058	1
PIPE-COMP (Ref # 31064A)	31064-1059	1
BRACKET-ENGINE (Ref # 32029)	32029-1392	1
BOLT,10X285 (Ref # 92002)	92002-1206	1
BOLT,FLANGED,10X265 (Ref # 92002A)	92002-1454	1
BOLT,FLANGED,10X330 (Ref # 92002B)	92002-1540	1
NUT,10M/M (Ref # 92015)	92015-1021	2
NUT,FLANGED,10MM,BLAC (Ref # 92015A)	92015-1180	3
DAMPER,ENGINE BRACKET (Ref # 92075)	92075-1738	6
DAMPER,ENGINE MOUNT,M (Ref # 92075A)	92075-1739	4
DAMPER,ENGINE MOUNT (Ref # 92075B)	92075-1740	2
BOLT-SOCKET (Ref # 120)	120S1020	2
BOLT-SOCKET,10X30 (Ref # 120A)	120S1030	2
BOLT-FLANGED (Ref # 130)	130J0860	4
BOLT-FLANGED-SMALL (Ref # 132)	132J0820	2