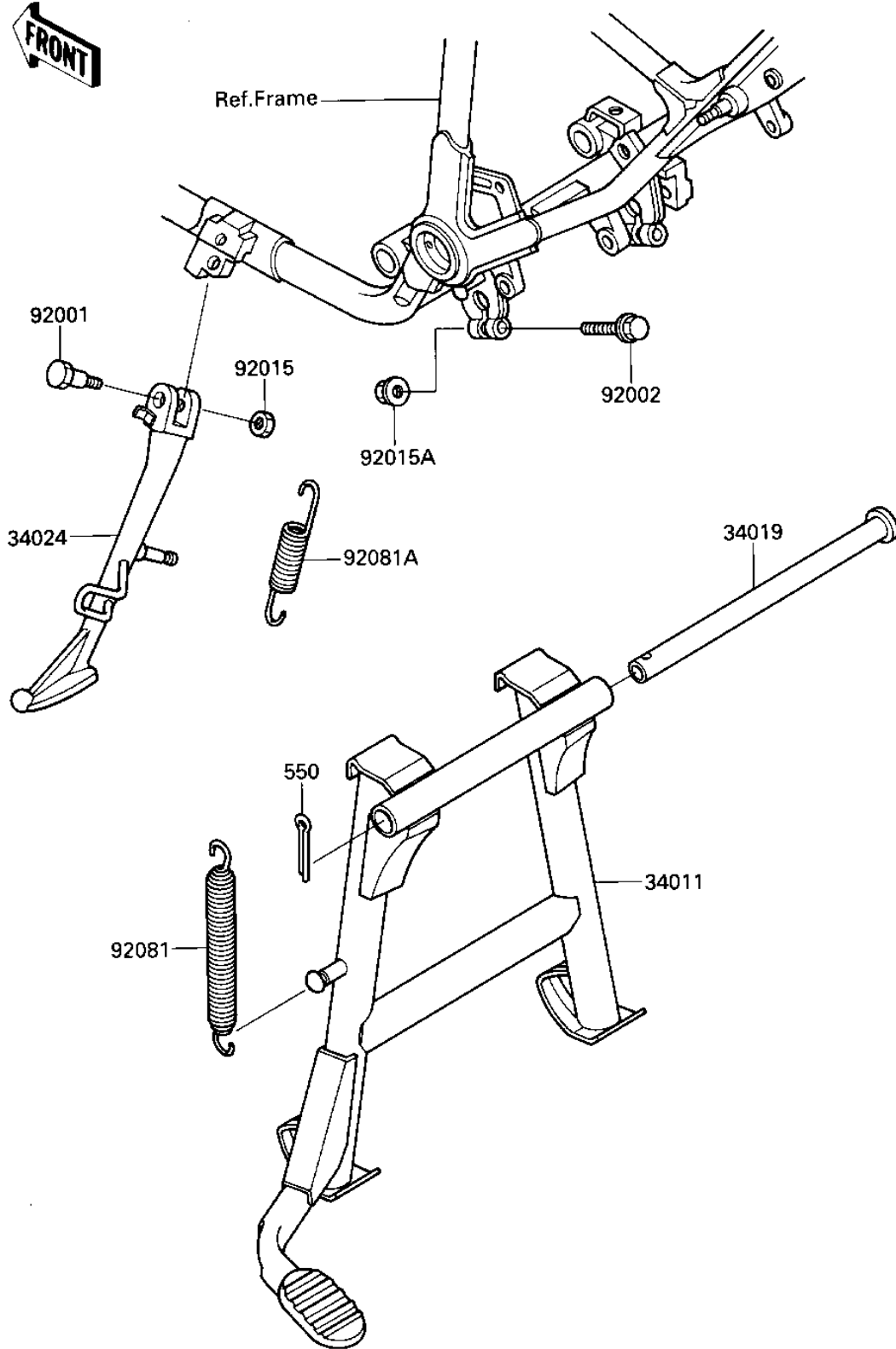


1985 LTD PARTS DIAGRAM

STANDS

F2190-0180



1985 LTD PARTS LIST

STANDS

| ITEM NAME | PART NUMBER | QUANTITY |
|-----------------------------------|-------------|----------|
| STAND-CENTER (Ref # 34011) | 34011-1118 | 1 |
| SHAFT-STAND (Ref # 34019) | 34019-1051 | 1 |
| STAND-SIDE (Ref # 34024) | 34024-1185 | 1 |
| BOLT,8X160,BLACK (Ref # 92001) | 92001-1543 | 1 |
| BOLT,FLANGED,8X40 (Ref # 92002) | 92002-1113 | 2 |
| NUT,LOCK,10MM,BLACK (Ref # 92015) | 92015-1188 | 1 |
| NUT,FLANGED,8MM (Ref # 92015A) | 92015-1409 | 2 |
| SPRING,MAIN STAND (Ref # 92081) | 34023-012 | 1 |
| SPRING,SIDE STAND (Ref # 92081A) | 92081-1894 | 1 |
| PIN COTTER 3.0X30 (Ref # 550) | 550D3030 | 1 |