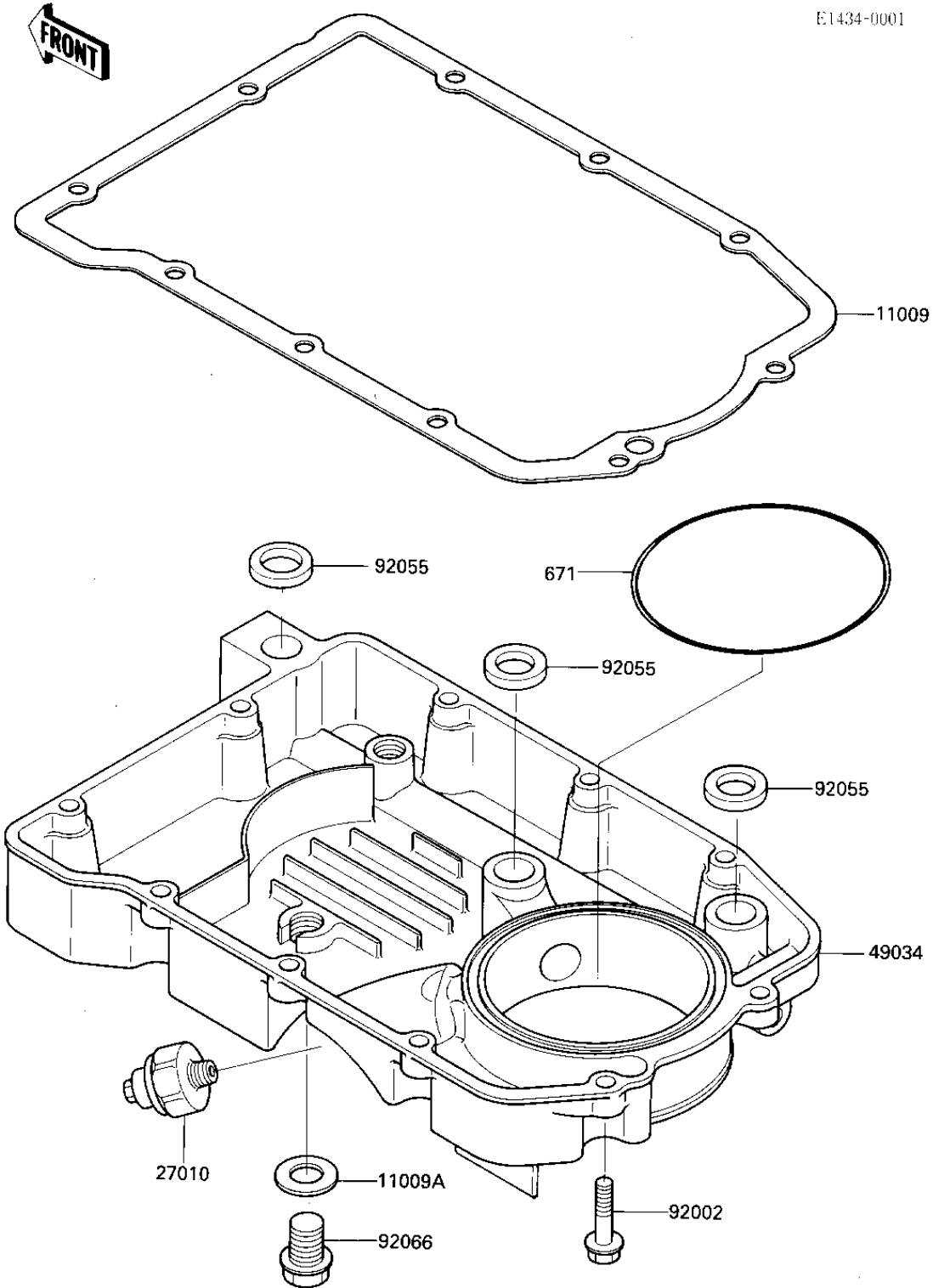


# 1985 Ninja® 600 PARTS DIAGRAM

OIL PAN



R  
N

# 1985 Ninja® 600 PARTS LIST

## OIL PAN

ITEM NAME	PART NUMBER	QUANTITY
GASKET,OIL PAN (Ref # 11009)	11060-1149	1
GASKET,DRIN PLUG (Ref # 11009A)	92065-097	1
SWITCH,OIL PRESSURE (Ref # 27010)	27010-1155	1
PAN-OIL (Ref # 49034)	49034-1062	1
BOLT,6X25 (Ref # 92002)	92002-1089	10
"O" RING (Ref # 92055)	92055-077	3
PLUG,OIL DRAIN,12X15 (Ref # 92066)	92066-1174	1
"O" RING,90MM (Ref # 671)	671B2590	1