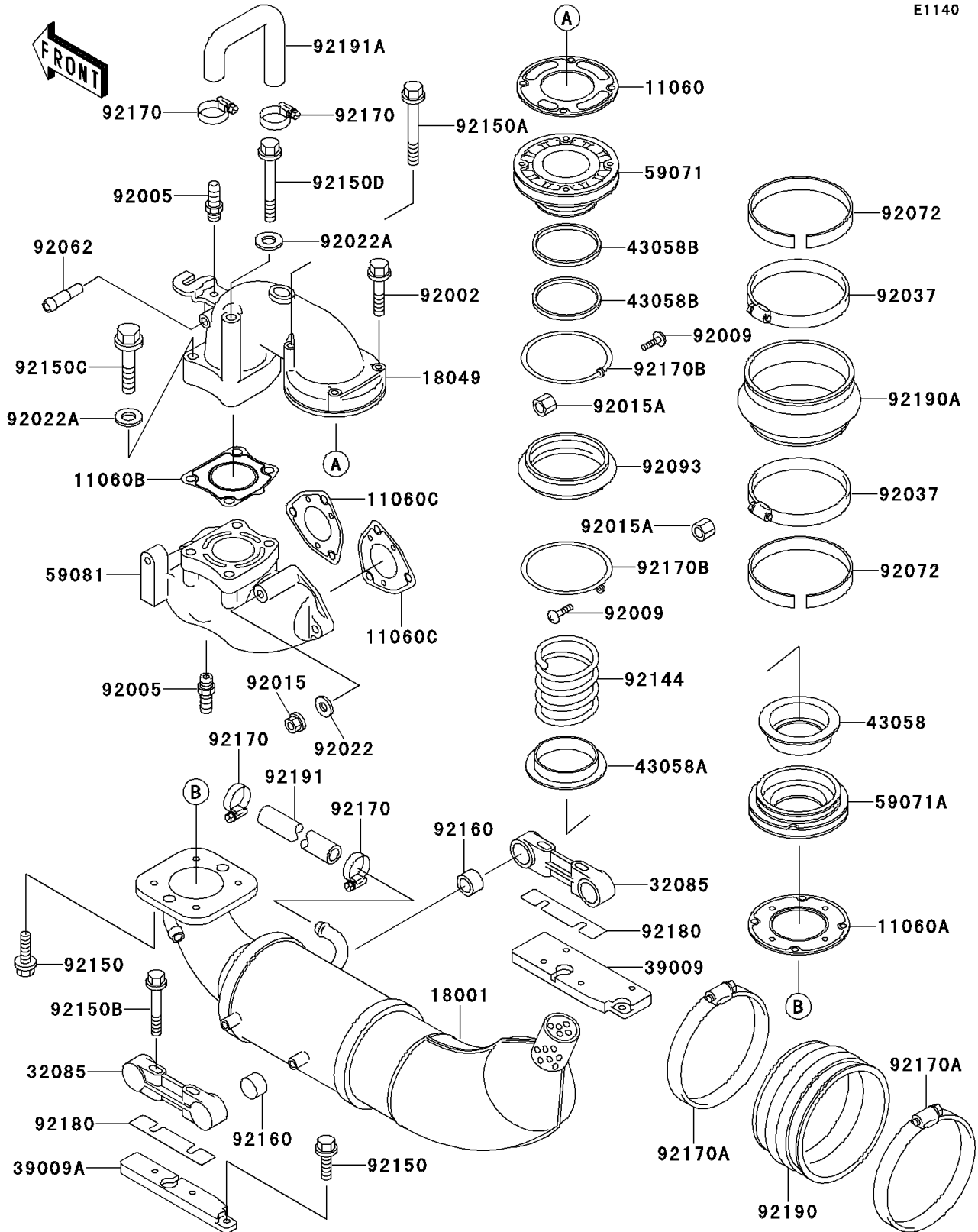


1997 SS PARTS DIAGRAM

Muffler(s)

E1140



1997 SS PARTS LIST

Muffler(s)

ITEM NAME	PART NUMBER	QUANTITY
GASKET,EXHAUST PIPE (Ref # 11060)	11060-3718	1
GASKET,MUFFLER (Ref # 11060A)	11060-3724	1
GASKET,EXHAUST MANIFOLD (Ref # 11060B)	11060-3732	1
GASKET,EXHAUST MANIFOLD (Ref # 11060C)	11060-3759	2
MUFFLER (Ref # 18001)	18001-3767	1
PIPE-EXHAUST (Ref # 18049)	18049-3760	1
STOPPER (Ref # 32085)	32085-3713	2
BLOCK-MOUNT,RH (Ref # 39009)	39009-3708	1
BLOCK-MOUNT,LH (Ref # 39009A)	39009-3709	1
RING (Ref # 43058)	43058-3705	1
RING (Ref # 43058A)	43058-3706	1
RING (Ref # 43058B)	43058-3707	2
JOINT,UPP (Ref # 59071)	59071-3728	1
JOINT,LWR (Ref # 59071A)	59071-3729	1
MANIFOLD-EXHAUST (Ref # 59081)	59081-3720	1
BOLT,6X35 (Ref # 92002)	92002-3715	2
FITTING,HOSE (Ref # 92005)	92005-3712	2
SCREW,3X14 (Ref # 92009)	92009-3796	2
NUT,CAP,8MM (Ref # 92015)	92015-1371	6
NUT,3MM (Ref # 92015A)	92015-3825	2
WASHER,8.2X18X1.5 (Ref # 92022)	92022-1964	6
WASHER,10.2X20X1.5 (Ref # 92022A)	92022-3742	4
CLAMP (Ref # 92037)	92037-3706	2
NOZZLE (Ref # 92062)	92062-3705	1
BAND,ID=111 (Ref # 92072)	92072-3740	2
SEAL (Ref # 92093)	92093-3738	1
SPRING (Ref # 92144)	92144-3739	1
BOLT,6X18 (Ref # 92150)	92150-3729	8
BOLT,6X80 (Ref # 92150A)	92150-3761	2

1997 SS PARTS LIST

Muffler(s)

ITEM NAME	PART NUMBER	QUANTITY
BOLT,6X50 (Ref # 92150B)	92150-3762	4
BOLT,10X50 (Ref # 92150C)	92150-3819	2
BOLT,10X145 (Ref # 92150D)	92150-3820	2
DAMPER (Ref # 92160)	92160-3740	4
CLAMP (Ref # 92170)	92170-3718	4
CLAMP (Ref # 92170A)	92170-3721	2
CLAMP (Ref # 92170B)	92170-3731	2
SHIM (Ref # 92180)	92180-3701	AR
TUBE (Ref # 92190)	92190-3709	1
TUBE,JOINT (Ref # 92190A)	92190-3712	1
TUBE,13X19X140 (Ref # 92191)	92191-3717	1
TUBE,HEAD-EXHAUST (Ref # 92191A)	92191-3766	1