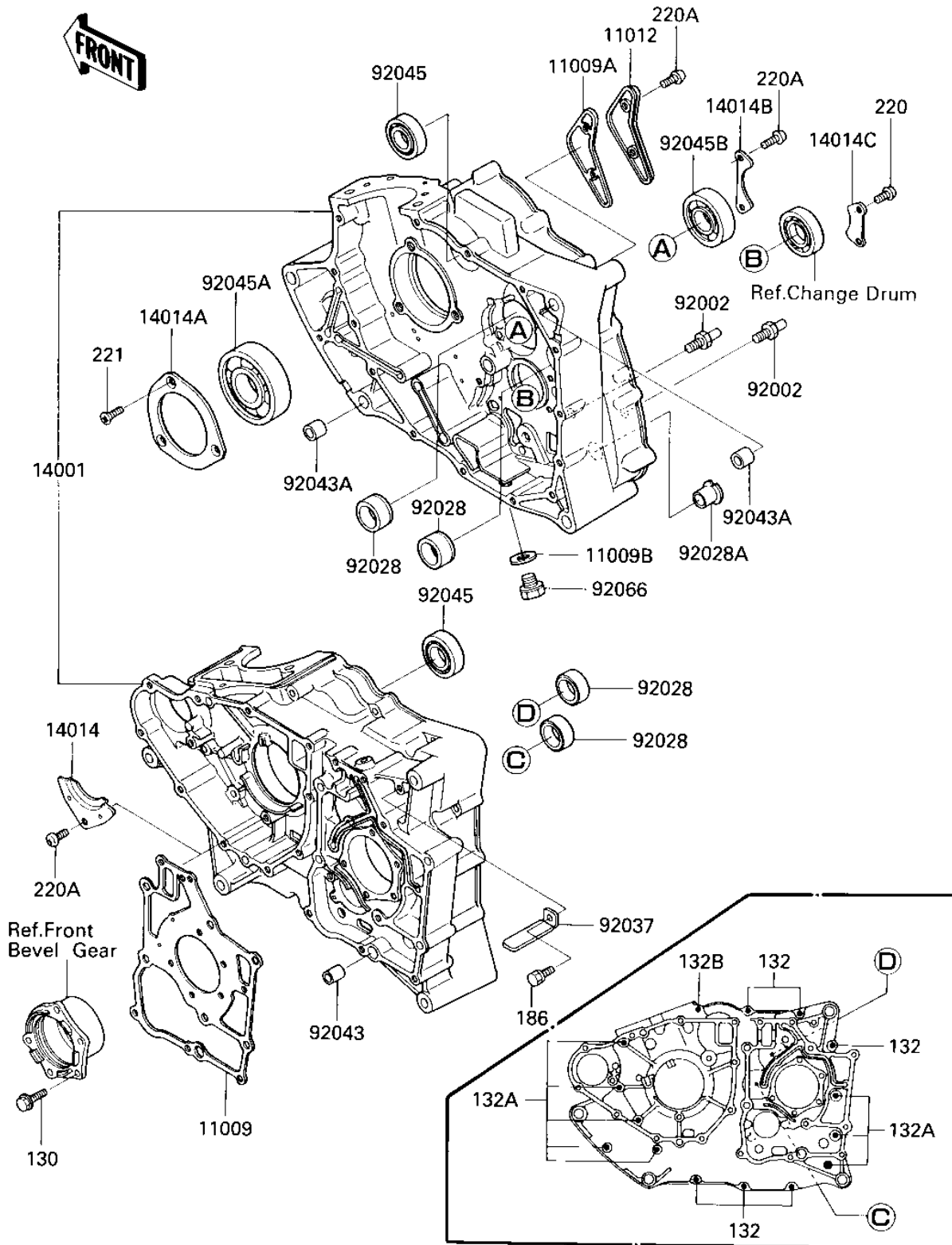


# 1986 Bayou 300 PARTS DIAGRAM

## CRANKCASE

E1411-0139



# 1986 Bayou 300 PARTS LIST

## CRANKCASE

| ITEM NAME                            | PART NUMBER | QUANTITY |
|--------------------------------------|-------------|----------|
| GASKET,GEAR CASE (Ref # 11009)       | 11060-1224  | 1        |
| GASKET (Ref # 11009A)                | 11009-1517  | 1        |
| GASKET,DRIN PLUG (Ref # 11009B)      | 92065-097   | 1        |
| CAP (Ref # 11012)                    | 11012-1443  | 1        |
| SET-CRANKCASE (Ref # 14001)          | 14001-5210  | 1        |
| PLATE,POSITIONING (Ref # 14014)      | 14014-035   | 1        |
| PLATE,POSITIONING (Ref # 14014A)     | 14014-1004  | 1        |
| PLATE-POSITION (Ref # 14014B)        | 14014-1069  | 1        |
| PLATE-POSITION,CHANGE (Ref # 14014C) | 14014-1070  | 1        |
| BOLT,RETURN SPRING (Ref # 92002)     | 92002-1408  | 2        |
| BUSHING (Ref # 92028)                | 92028-132   | 4        |
| BUSHING (Ref # 92028A)               | 92028-1386  | 1        |
| CLAMP,WIRING HARNESS (Ref # 92037)   | 92037-1069  | 1        |
| PIN,DOWEL,12MM (Ref # 92043)         | 92042-031   | 1        |
| PIN,DOWEL,14MM (Ref # 92043A)        | 92042-032   | 2        |
| BEARING-BALL,6004TMB (Ref # 92045)   | 92045-1118  | 2        |
| BEARING-BALL (Ref # 92045A)          | 92045-1172  | 1        |
| BEARING-BALL,TMB304CC (Ref # 92045B) | 92045-1142  | 1        |
| PLUG,OIL DRAIN,12X15 (Ref # 92066)   | 92066-1174  | 1        |
| BOLT-FLANGED,6X20 (Ref # 130)        | 130P0620    | 5        |
| BOLT-FLANGED-SMALL (Ref # 132)       | 132Y0635    | 6        |
| BOLT-FLANGED-SMALL (Ref # 132A)      | 132Y0665    | 8        |
| BOLT-FLANGED-SMALL (Ref # 132B)      | 132Y0685    | 1        |
| BOLT-UPSET-WP (Ref # 186)            | 186D0614    | 1        |
| SCREW PAN HEAD 6X10 (Ref # 220)      | 220B0610    | 2        |
| SCREW PAN HEAD 6X14 (Ref # 220A)     | 220B0614    | 5        |
| SCREW CNTSNK HD 6X16 (Ref # 221)     | 221B0616    | 3        |